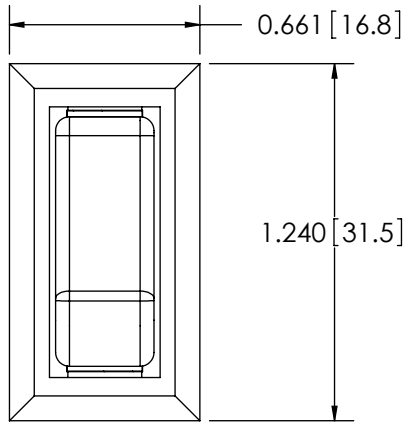
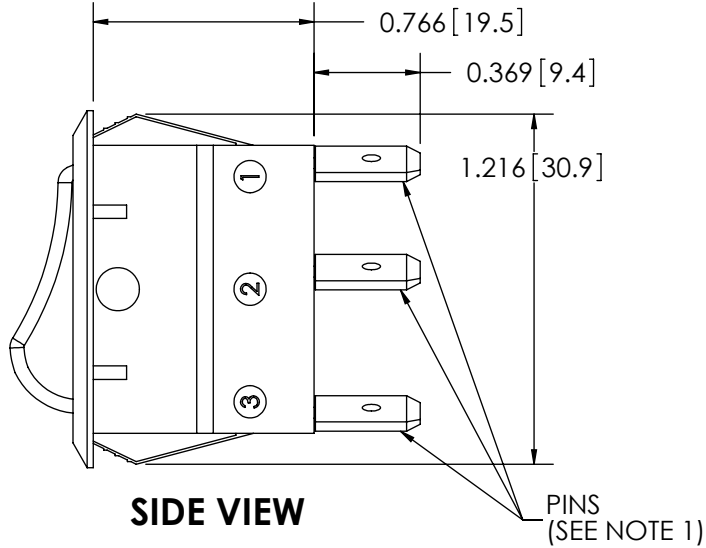


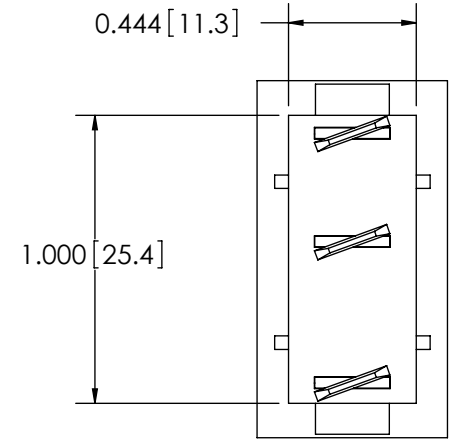
REVISION HISTORY		
REV.	DESCRIPTION	DATE
A	INITIAL RELEASE PER ECN-0236	1998-07-17
B	RECONCILE ELEC. FILE PER CR# 1813	2005-02-03



TOP VIEW



SIDE VIEW



BOTTOM VIEW

NOTES:

- CONNECTION:
 PIN 1: +VDC IN (FROM BATTERY)
 PIN 2: +VDC OUT (TO LIGHT)
 PIN 3: TO GROUND
- VOLTAGE: 12VDC
- MAX CURRENT (@12VDC): 20 AMP
- HOLE CUTOUT FOR SWITCH MOUNTING SHOULD BE 0.450 X 1.136
- DIMENSIONS IN INCHES[MILLIMETERS(FOR REFERENCE)]

APPROVALS		DATE
DRAWN BY	SNS	
CHECKED		
ELEC. ENG.		
MECH. ENG.		
TEST ENG.		
SALES		

ECCO

ROCKER SWITCH, ILLUMINATED AMB, SPST 12V

Project: ECN-0236 Date Created: 1998-07-17

SIZE DWG. NO. A9891 REV. B

SCALE 3:2 PREPARED PER ASME 14.100M-1998 / ASME Y14.1-1995 SHEET 1 OF 1

NON DISCLOSURE AGREEMENT

THIS DRAWING AND THE DESIGN IT DISCLOSES ARE THE PRIVATE PROPERTY OF ECCO AND IS ISSUED IN CONFIDENCE FOR ENGINEERING INFORMATION ONLY. THE DRAWING AND / OR DESIGN MAY NOT BE USED, COPIED, REPRODUCED, OR OTHERWISE DISCLOSED IN PART OR AS A WHOLE TO OUTSIDERS OR USED FOR ANY OTHER PURPOSE WITHOUT THE PRIOR WRITTEN CONSENT OF ECCO. THE DRAWING IS SUBJECT TO RECALL AT ANY TIME. YOUR POSSESSION OF THIS DOCUMENT CONSTITUTES ACCEPTANCE OF THESE TERMS. © 2005 ECCO

