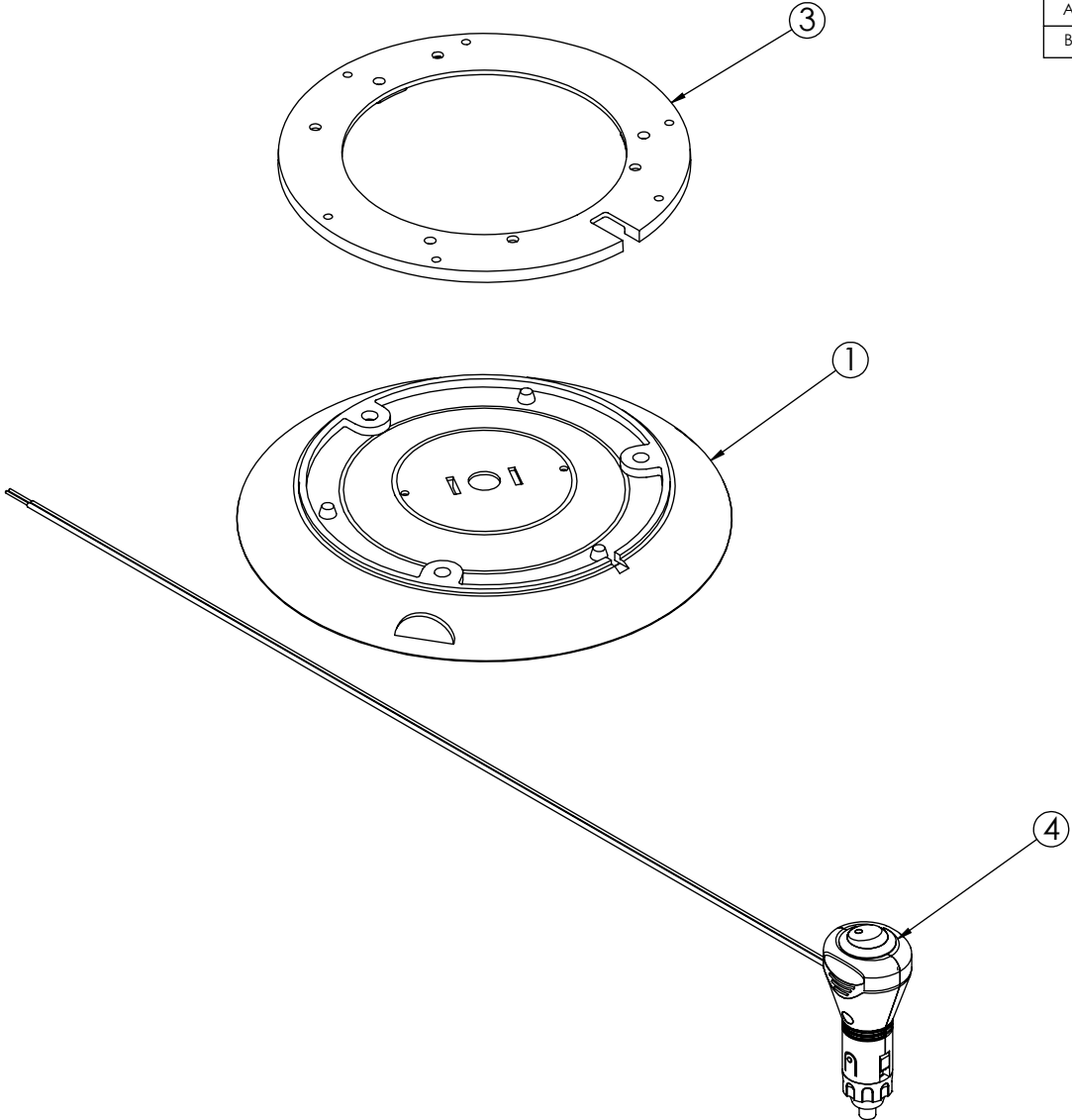


REVISION HISTORY		
REV.	DESCRIPTION	DATE
02	ADDED CUSTOMER P/N AND CORRECTED REDLINES PER P3# 08025	2009-04-08
A	INITIAL RELEASE PER P3# 08025	2009-04-28
B	CORRECTED BOM PER P3# 08025	2009-05-19



ITEM NO.	QTY.	DESCRIPTION	COMMENTS
1	1	ASSY_MAGNET PLATE & COVER, RUBBER	
2	1	ASSY_HDW,KIT_A7000VMK-NEO	NOT SHOWN
3	1	VACUUM MAGNET MOUNT ADAPTER	
4	1	ASSY_CABLE,2COND,15',PLUG W/LED SWITCH	
5	1	ACCESSORY,KIT,VAC MAG MNT,7000	NOT SHOWN
6	1	BOX,ACCESSORY,BRN,8-3/16X8-3/16X2-11/16	NOT SHOWN

SCALE 1:3		APPROVALS	DATE
CAD GENERATED DRAWING DO NOT MANUALLY UPDATE. MODEL REFERENCED:A		DRAWN BY BND	
TOLERANCES ARE IN INCHES, AND MILLIMETERS TOLERANCES ARE:		CHECKED	
		MECH. ENG.	
MILLIMETERS DECIMALS XX. ± 1.0mm XX.X ± 0.5mm	INCHES DECIMALS X.X ± 0.1 X.XX ± 0.04 X.XXX ± 0.02	ANGLES ± 0.5°	ELEC. ENG.
		FRACTIONS ± 1/64	TEST ENG.
		THIRD ANGLE PROJECTION	SALES.



ACCESSORY,KIT,VAC MAG MNT,7000

CUSTOMER PART NO. A7660VMK		PRODUCT SERIES: ACCESSORY	
SIZE: A	DWG. NO. A7660VMK	REV. B	
SHEET 1 OF 1	Project: 08025	Date Created: 2009-03-06	

NON DISCLOSURE AGREEMENT
THIS DRAWING AND THE DESIGN IT DISCLOSES ARE THE PRIVATE PROPERTY OF ECCO AND IS ISSUED IN CONFIDENCE FOR ENGINEERING INFORMATION ONLY. THE DRAWING AND / OR DESIGN MAY NOT BE USED, COPIED, REPRODUCED, OR OTHERWISE DISCLOSED IN PART OR AS A WHOLE TO OUTSIDERS OR USED FOR ANY OTHER PURPOSE WITHOUT THE PRIOR WRITTEN CONSENT OF ECCO. THE DRAWING IS SUBJECT TO RECALL AT ANY TIME. YOUR POSSESSION OF THIS DOCUMENT CONSTITUTES ACCEPTANCE OF THESE TERMS. © 2009 ECCO