



# MAGNET MOUNT ADAPTER KIT INSTALLATION INSTRUCTIONS

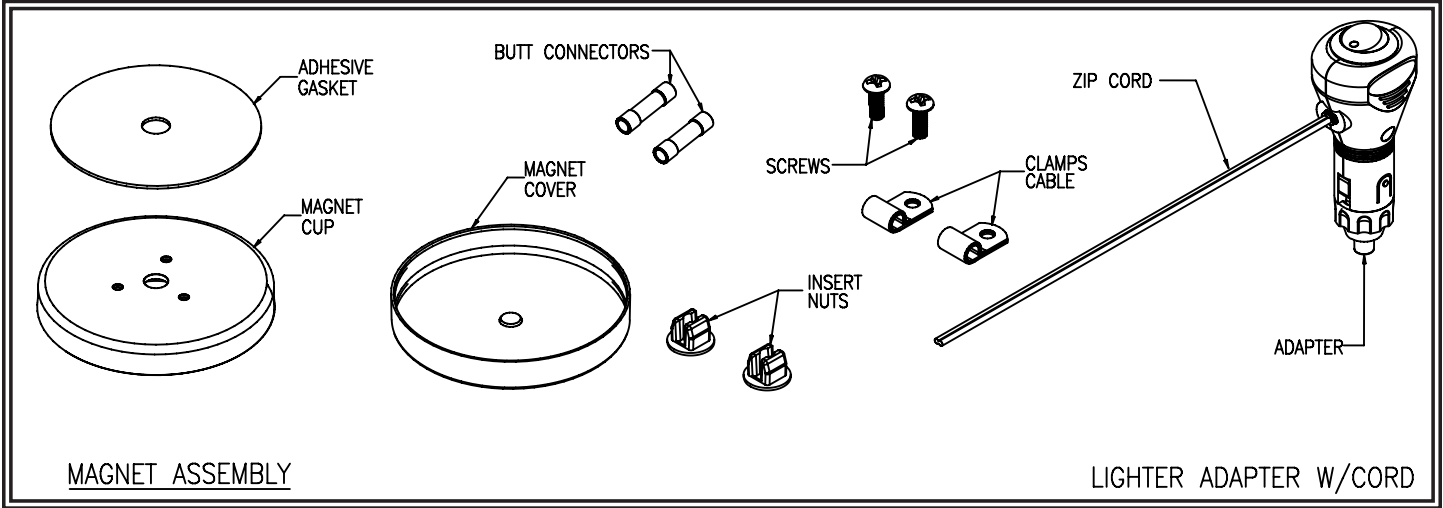


Figure 1



Failure to install this product in accordance with manufacturer's recommendations for installation may result in property damage, serious injury, and/or death to those you are seeking to protect.

**Note:** The magnetic mount is not intended as a permanent mount for the strobe. Use on a moving vehicle is at the discretion and risk of the user.

## Installation:

1. **Note:** This Magnet Mount Adapter Kit can be used in ECCO Strobe models 6400, 6500, 6600, and 6900 series strobes, or any application with a flat base. All parts should be at room temperature (min. 50°F). The contact area on the magnet cup and the strobe base must be clean and dry. Clean contact areas with rubbing alcohol or similar filmless solvent.
2. Peel off protective paper from one side of adhesive gasket and apply to back of magnet cup. See Figure 1.
3. Peel off protective paper from other side of adhesive gasket and apply Magnet Assembly to the center of the bottom of the strobe base. For 6600 and 6900 strobes, hold the wires in the wire channel as shown in Figure 2.
4. Strip back lighter adapter cord wires and attach to the strobe power wires, using the supplied butt connectors, the black wire to positive (red) and the black wire with white lettering to negative (black). For 6600 strobes, push the ends of the cord through the cable clamp as shown in Figure 2 prior to connecting to the power wires.
5. Place magnet cover over magnet to prevent the magnet from scratching the surface when applied.
6. For 6600 and 6900 strobes with a thread-on lens, drill and tap two 10-32 holes to attach the cable clamps.
7. Push in the insert nuts in the holes on either side of the wire channel, and using the cable clamps fasten the wires down as shown in Figure 2.

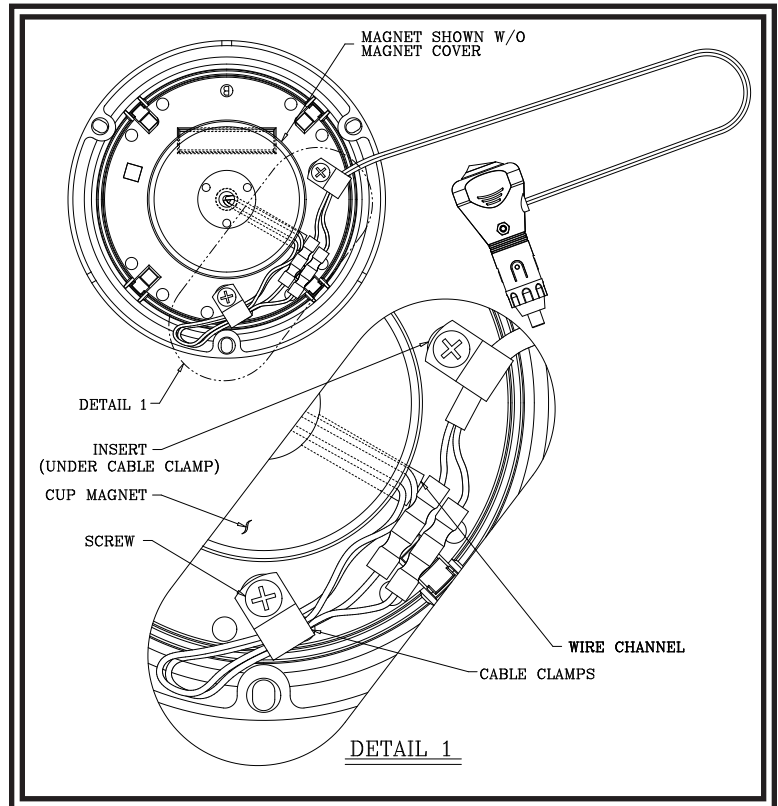


Figure 2

The Double Stick Adhesive Pad is Double Coated Acrylic Foam Tape, specifically designed for exterior automotive use. Proper installation will assure performance in a temperature range from -40°F to 200°F.