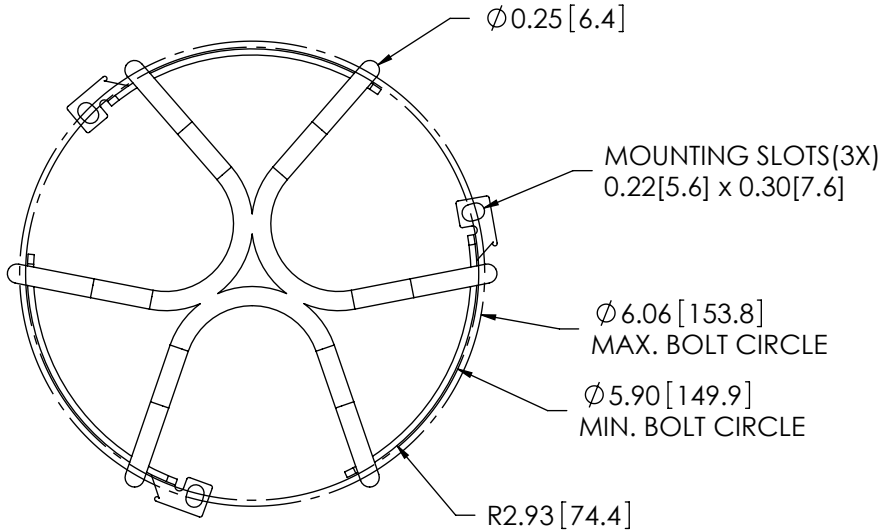
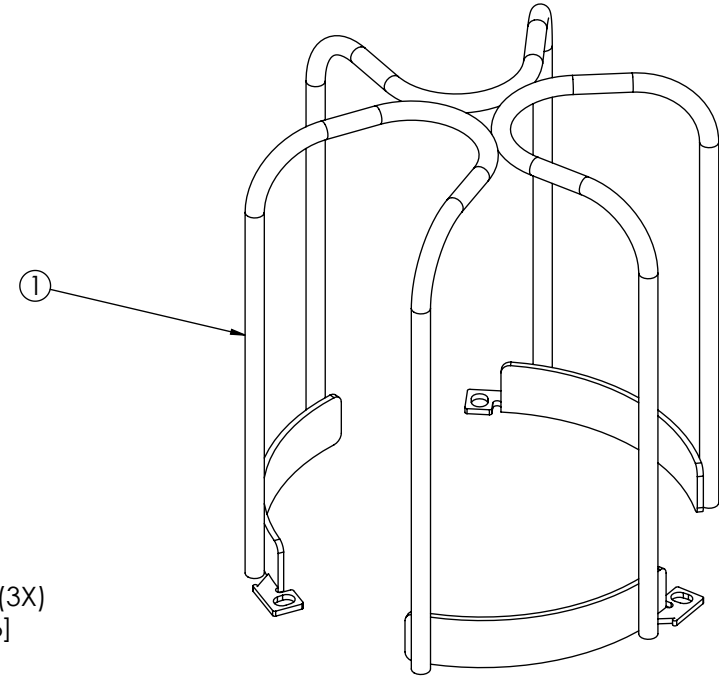
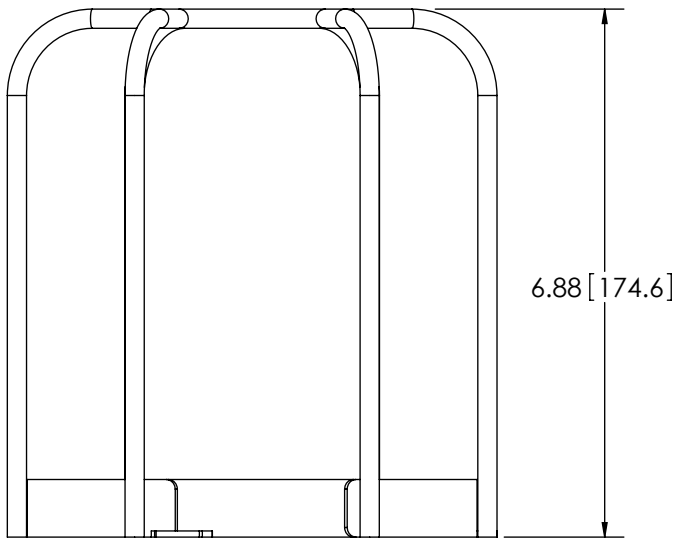


8 7 6 5 4 3 2 1

REVISION HISTORY		
REV.	DESCRIPTION	DATE
01	PRELIMINARY RELEASE PER P3# 04031	2005-06-10
A1	INITIAL RELEASE PER P3# 04031	2005-06-13
B	RELEASED FROM PROJECT PER P3# 05012	2005-09-16



ITEM NO.	QTY.	DESCRIPTION	COMMENTS
1	1	BRANCH GUARD,6500 SERIES, 6"	
2	1	SHEET_INSTRUCTION,BRANCHGUARDS,6550/6570	NOT SHOWN
3	1	BOX,WHITE,ECCO LABEL,6000 SERIES	NOT SHOWN

NOTES:
1. DIMENSIONS IN INCHES[MILLIMETERS(FOR REFERENCE)]

APPROVALS		DATE
DRAWN BY	JDT	
CHECKED		
ELEC. ENG.		
MECH. ENG.		
TEST ENG.		
SALES		

ECCO

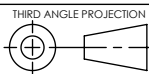
ACCESSORY BRANCH GUARD, MED PROFILE

Project: P3#04031 Date Created: 2005-06-10

SIZE DWG. NO. **A6070BG** REV. **B**

SCALE 1:2.5 PREPARED PER ASME 14.100M-1998 / ASME Y14.1-1995 SHEET 1 OF 1

CAD GENERATED DRAWING
DO NOT MANUALLY UPDATE.
MODEL REFERENCED: B



NON DISCLOSURE AGREEMENT

THIS DRAWING AND THE DESIGN IT DISCLOSES ARE THE PRIVATE PROPERTY OF ECCO AND IS ISSUED IN CONFIDENCE FOR ENGINEERING INFORMATION ONLY. THE DRAWING AND / OR DESIGN MAY NOT BE USED, COPIED, REPRODUCED, OR OTHERWISE DISCLOSED IN PART OR AS A WHOLE TO OUTSIDERS OR USED FOR ANY OTHER PURPOSE WITHOUT THE PRIOR WRITTEN CONSENT OF ECCO. THE DRAWING IS SUBJECT TO RECALL AT ANY TIME. YOUR POSSESSION OF THIS DOCUMENT CONSTITUTES ACCEPTANCE OF THESE TERMS. © 2005 ECCO

8 7 6 5 4 3 2 1