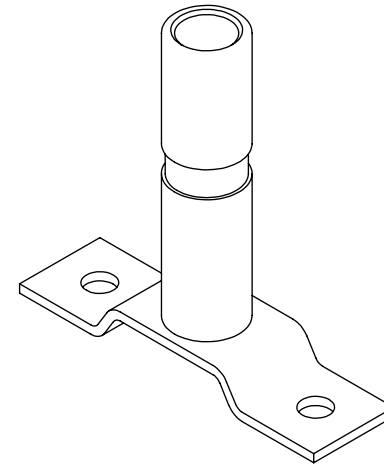
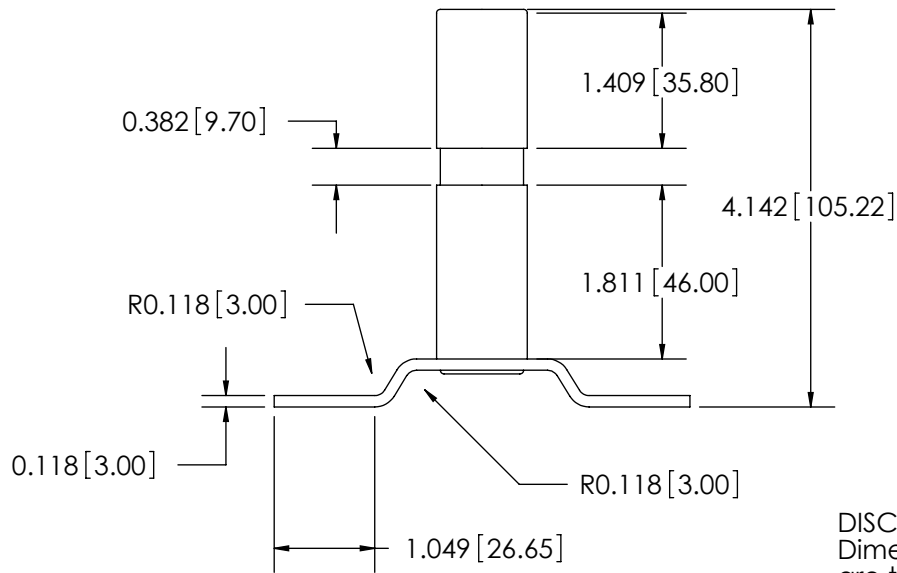


REVISION HISTORY		
REV.	DESCRIPTION	DATE
01	PRELIMINARY RELEASE PER CR# 2813	2009-03-09
02	ADDED DISCLAIMER AND DIMENSIONS PER CR# 2813	2009-03-09
A	RELEASED TO REV A PER CR# 2813	2009-03-09



[Accessory Lighting](#)

DISCLAIMER
 Dimensions, Illustrations, Specifications, and Certifications contained in this document are typical of the actual product and are subject to change. ECCO Engineering does not maintain formal Design control of this product.

NOTES:
 1. DIMENSIONS IN INCHES [MILLIMETERS (FOR REFERENCE)]

SCALE 1:2		APPROVALS	DATE		
CAD GENERATED DRAWING DO NOT MANUALLY UPDATE. MODEL REFERENCED:A		DRAWN BY MDH			
TOLERANCES ARE IN INCHES, AND MILLIMETERS TOLERANCES ARE:		CHECKED			
MILLIMETERS DECIMALS XX. ± 1.0mm XX.X ± 0.5mm		MECH. ENG.			
INCHES DECIMALS X.X ± 0.1 X.XX ± 0.04 X.XXX ± 0.02		ELEC. ENG.		BRACKET, QUICK CONNECT T {NON-ISO}	
ANGLES ± 0.5° FRACTIONS ± 1/64		TEST ENG.			
THIRD ANGLE PROJECTION		SALES.		CUSTOMER PART NO. A5850TB	PRODUCT SERIES: 5800
NON DISCLOSURE AGREEMENT		SIZE: A DWG. NO. A5850TB		REV. A	
THIS DRAWING AND THE DESIGN IT DISCLOSES ARE THE PRIVATE PROPERTY OF ECCO AND IS ISSUED IN CONFIDENCE FOR ENGINEERING INFORMATION ONLY. THE DRAWING AND / OR DESIGN MAY NOT BE USED, COPIED, REPRODUCED, OR OTHERWISE DISCLOSED IN PART OR AS A WHOLE TO OUTSIDERS OR USED FOR ANY OTHER PURPOSE WITHOUT THE PRIOR WRITTEN CONSENT OF ECCO. THE DRAWING IS SUBJECT TO RECALL AT ANY TIME. YOUR POSSESSION OF THIS DOCUMENT CONSTITUTES ACCEPTANCE OF THESE TERMS. © 2009 ECCO		SHEET 1 OF 1 Project: CR# 2813		Date Created: 2009-03-09	

