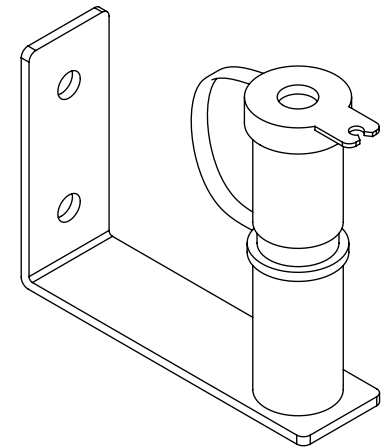
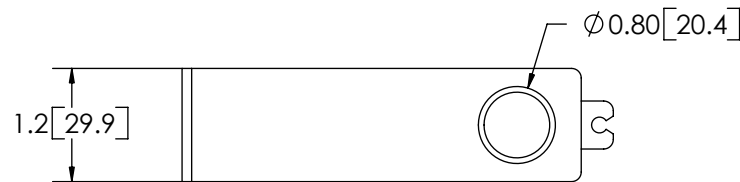
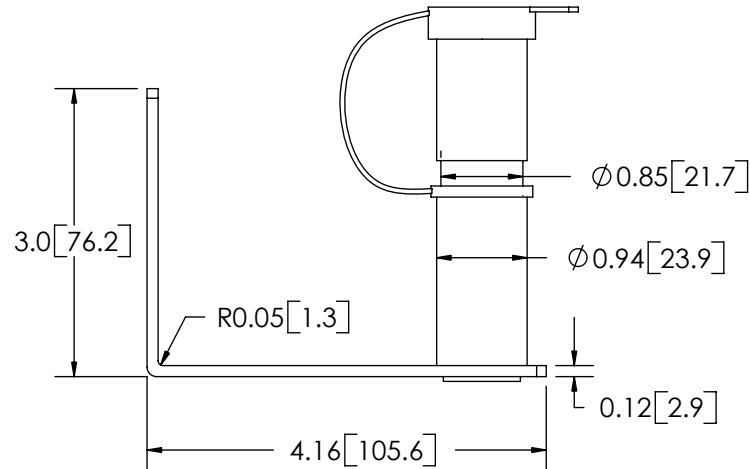
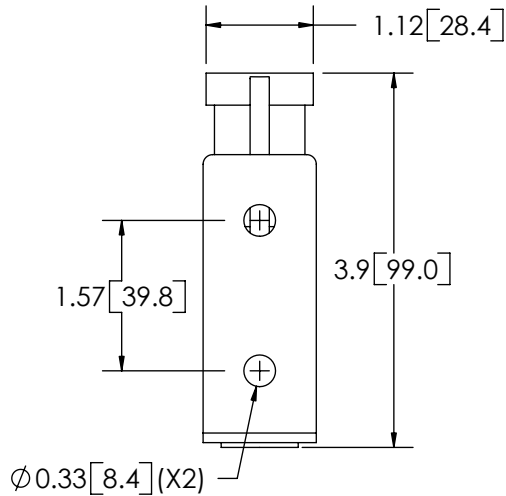


REVISION HISTORY		
REV.	DESCRIPTION	DATE
01	PRELIMINARY RELEASE PER CR# 2024	2006-01-31
A	INITIAL RELEASE PER CR# 2024	2006-06-05



[Accessory Lighting](#)

DISCLAIMER

Dimensions, Illustrations, Specifications, and Certifications contained in this document are typical of the actual product and are subject to change. ECCO Engineering does not maintain formal Design control of this product.

NOTES:
1. DIMENSIONS IN INCHES [MILLIMETERS (FOR REFERENCE)]

SCALE 1:2		APPROVALS	DATE
CAD GENERATED DRAWING DO NOT MANUALLY UPDATE. MODEL REFERENCED:A		DRAWN BY DJG	
TOLERANCES ARE IN INCHES, TOLERANCES ARE:		CHECKED	
MILLIMETERS DECIMALS .X ± .1 .XX ± .01 .XXX ± .005 .XXXX ± .0030	INCHES DECIMALS .X ± .1 .XX ± .01 .XXX ± .005 .XXXX ± .0030	MECH. ENG.	
THIRD ANGLE PROJECTION		ELEC. ENG.	
ANGLES ± 0.5°		TEST ENG.	
FRACTIONS ± 1/64		SALES	



BRACKET, QUICK CONNECT L {NON-ISO}

CUSTOMER PART NO. A5850LB		PRODUCT SERIES: 5800	
SIZE: A	DWG. NO. A5850LB	REV. A	
SHEET 1 OF 1		Project: CR#2024	Date Created: 2006-01-31

NON DISCLOSURE AGREEMENT
THIS DRAWING AND THE DESIGN IT DISCLOSES ARE THE PRIVATE PROPERTY OF ECCO AND IS ISSUED IN CONFIDENCE FOR ENGINEERING INFORMATION ONLY. THE DRAWING AND / OR DESIGN MAY NOT BE USED, COPIED, REPRODUCED, OR OTHERWISE DISCLOSED IN PART OR AS A WHOLE TO OUTSIDERS OR USED FOR ANY OTHER PURPOSE WITHOUT THE PRIOR WRITTEN CONSENT OF ECCO. THE DRAWING IS SUBJECT TO RECALL AT ANY TIME. YOUR POSSESSION OF THIS DOCUMENT CONSTITUTES ACCEPTANCE OF THESE TERMS. © 2006 ECCO