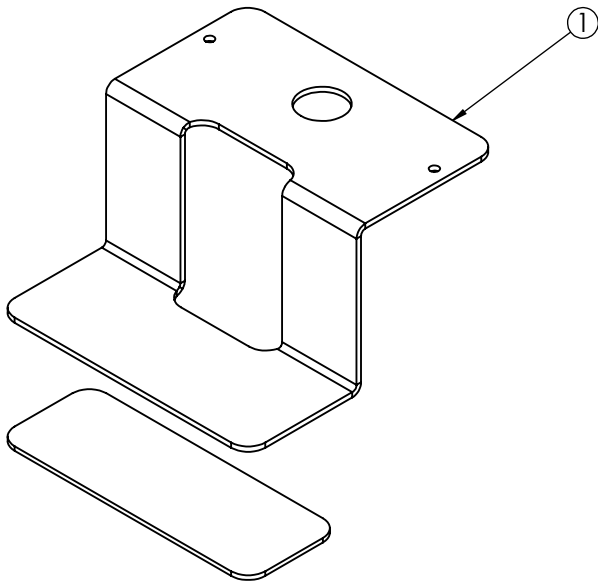



REVISION HISTORY		
REV.	DESCRIPTION	DATE
01	PRELIMINARY RELEASE PER P3# 06066	2009-05-13
02	CORRECTED BOM AND UPDATED LOGO PER P3# 06066	2009-05-14
A	INITIAL RELEASE PER P3# 06066	2009-05-19



ITEM NO.	QTY.	DESCRIPTION	COMMENTS
1	1	ASSY,HDW KIT, WINDOW MOUNTING,3730	
2	1	SHEET,INSTRUCTION,3730,MOUNTING BRACKETS	NOT SHOWN

SCALE 1:2		APPROVALS	DATE
CAD GENERATED DRAWING DO NOT MANUALLY UPDATE. MODEL REFERENCED:A		DRAWN BY JDT	
		CHECKED	
TOLERANCES ARE IN INCHES, AND MILLIMETERS TOLERANCES ARE:		MECH. ENG.	
MILLIMETERS DECIMALS XX. ± 1.0mm XX.X ± 0.5mm	INCHES DECIMALS X.X ± 0.1 X.XX ± 0.04 X.XXX ± 0.02	ANGLES ± 0.5°	ELEC. ENG.
		FRACTIONS ± 1/64	TEST ENG.
			SALES.
THIRD ANGLE PROJECTION			

		ACCESSORY, BRACKET, WINDOW MOUNT	
		CUSTOMER PART NO. <b>A3730WIN</b>	PRODUCT SERIES: <b>ACCESSORY</b>
SIZE: A	DWG. NO.	A3730WIN	
SHEET 1 OF 1	Project: 06066	Date Created: 2009-05-13	REV. A

NON DISCLOSURE AGREEMENT  
THIS DRAWING AND THE DESIGN IT DISCLOSES ARE THE PRIVATE PROPERTY OF ECCO AND IS ISSUED IN CONFIDENCE FOR ENGINEERING INFORMATION ONLY. THE DRAWING AND / OR DESIGN MAY NOT BE USED, COPIED, REPRODUCED, OR OTHERWISE DISCLOSED IN PART OR AS A WHOLE TO OUTSIDERS OR USED FOR ANY OTHER PURPOSE WITHOUT THE PRIOR WRITTEN CONSENT OF ECCO. THE DRAWING IS SUBJECT TO RECALL AT ANY TIME. YOUR POSSESSION OF THIS DOCUMENT CONSTITUTES ACCEPTANCE OF THESE TERMS. © 2009 ECCO