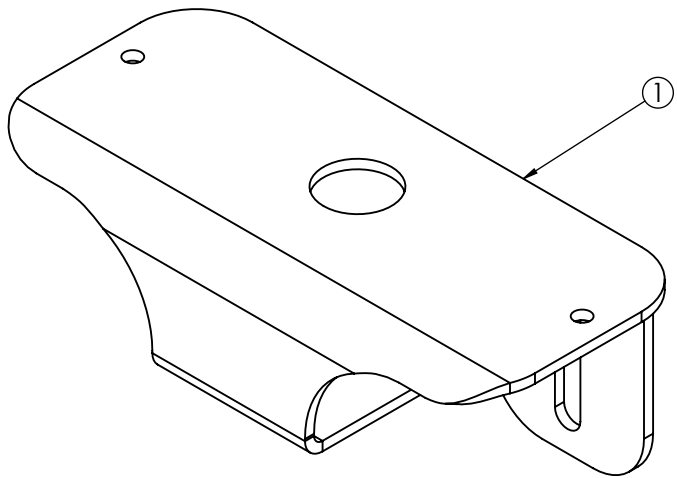


REVISION HISTORY		
REV.	DESCRIPTION	DATE
02	CORRECTED BOM AND UPDATED LOGO PER P3# 06066	2009-05-14
A	INITIAL RELEASE PER P3# 06066	2009-05-19
B	REVISE PER EC3345	2012-06-12



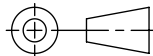
ITEM NO.	QTY.	DESCRIPTION	COMMENTS
1	1	BRACKET, MOUNTING, DECK, 3730	
2	1	SHEET, INSTRUCTION, 3730, MOUNTING BRACKETS	NOT SHOWN
3	1	BAG, POLY, 5" X 7"	NOT SHOWN

APPROVALS		DATE
DRAWN BY	BND	2012-05-25
CHECKED	JDT	2012-05-29
MECH. ENG.	NMT	2012-06-04
ELEC. ENG.		
MFG. ENG.	SKS	2012-05-29



**ACCESSORY, BRACKET, DECK MOUNT**

SCALE 1:1  
 CAD GENERATED DRAWING  
 DO NOT MANUALLY UPDATE.  
 MODEL REFERENCED: B



SIZE: A	DWG. NO. A3730DCK	REV. B
SHEET 1 OF 1		Project: 06066 Date Created: 2009-05-13

Electronically Controlled Use Latest Copy

**NON DISCLOSURE AGREEMENT**  
 THIS DRAWING AND THE DESIGN IT DISCLOSES ARE THE PRIVATE PROPERTY OF ECCO AND IS ISSUED IN CONFIDENCE FOR ENGINEERING INFORMATION ONLY. THE DRAWING AND / OR DESIGN MAY NOT BE USED, COPIED, REPRODUCED, OR OTHERWISE DISCLOSED IN PART OR AS A WHOLE TO OUTSIDERS OR USED FOR ANY OTHER PURPOSE WITHOUT THE PRIOR WRITTEN CONSENT OF ECCO. THE DRAWING IS SUBJECT TO RECALL AT ANY TIME. YOUR POSSESSION OF THIS DOCUMENT CONSTITUTES ACCEPTANCE OF THESE TERMS. © 2009 ECCO