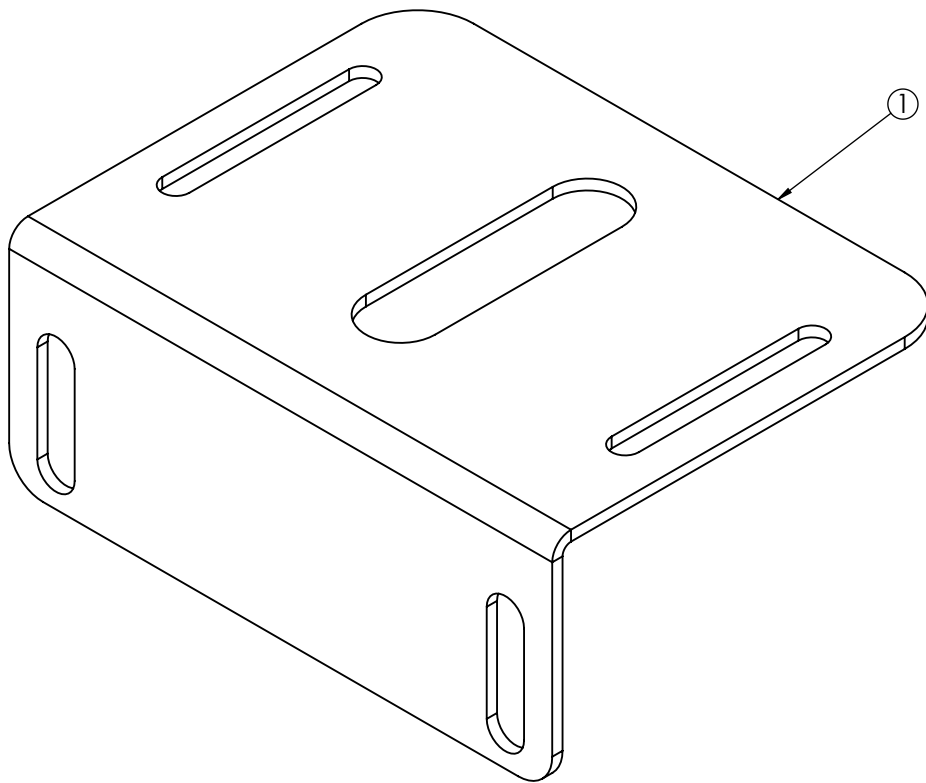


REVISION HISTORY		
REV.	DESCRIPTION	DATE
02	CORRECTED BOM AND UPDATED LOGO PER P3# 06066	2009-05-14
A	INITIAL RELEASE PER P3# 06066	2009-05-19
B	REVISE PER EC3345	2012-06-12



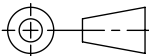
ITEM NO.	QTY.	DESCRIPTION	COMMENTS
1	1	BRACKET, MOUNTING, UNIVERSAL, 3730	
2	1	SHEET, INSTRUCTION, 3730, MOUNTING BRACKETS	NOT SHOWN
3	1	BAG, POLY, 5" X 7"	NOT SHOWN

APPROVALS	DATE
DRAWN BY BND	2012-05-25
CHECKED JDT	2012-05-29
MECH. ENG. NMT	2012-06-04
ELEC. ENG.	
MFG. ENG. SKS	2012-05-29



**ACCESSORY, BRACKET, UNIVERSAL MOUNT**

SCALE 1:1  
 CAD GENERATED DRAWING  
 DO NOT MANUALLY UPDATE.  
 MODEL REFERENCED: B



SIZE: A	DWG. NO. A3730BKT	REV. B
SHEET 1 OF 1		Date Created: 2009-05-12
Project: 06066		

NON DISCLOSURE AGREEMENT  
 THIS DRAWING AND THE DESIGN IT DISCLOSES ARE THE PRIVATE PROPERTY OF ECCO AND IS ISSUED IN CONFIDENCE FOR ENGINEERING INFORMATION ONLY. THE DRAWING AND / OR DESIGN MAY NOT BE USED, COPIED, REPRODUCED, OR OTHERWISE DISCLOSED IN PART OR AS A WHOLE TO OUTSIDERS OR USED FOR ANY OTHER PURPOSE WITHOUT THE PRIOR WRITTEN CONSENT OF ECCO. THE DRAWING IS SUBJECT TO RECALL AT ANY TIME. YOUR POSSESSION OF THIS DOCUMENT CONSTITUTES ACCEPTANCE OF THESE TERMS. © 2009 ECCO

Electronically Controlled Use Latest Copy