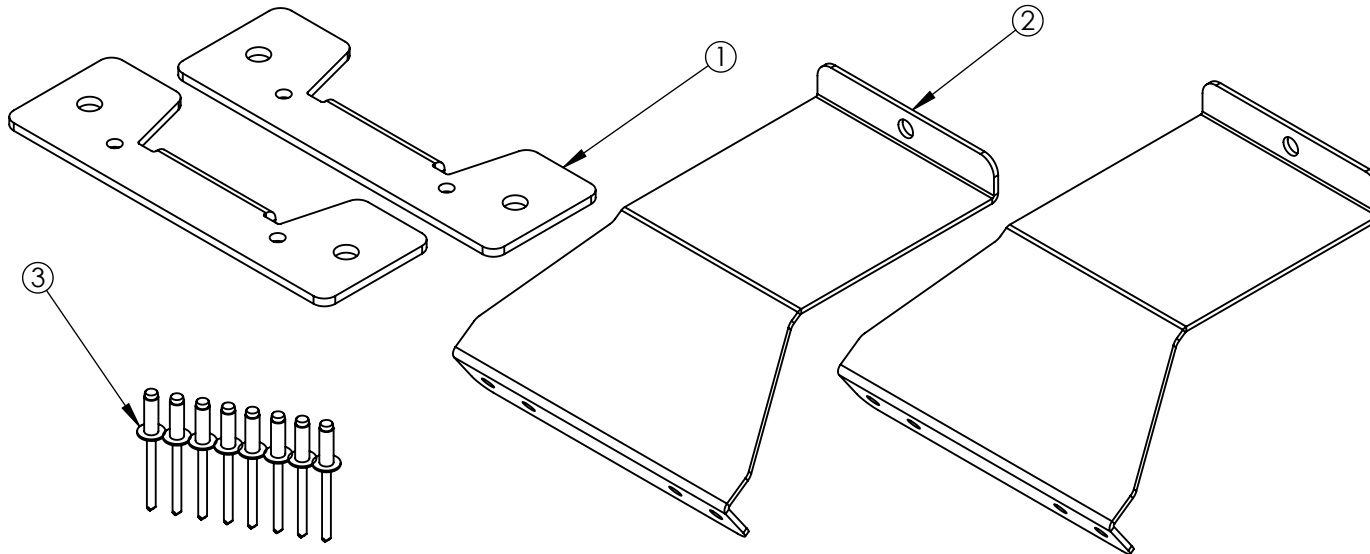


REVISION HISTORY		
REV.	DESCRIPTION	DATE
02	REVISED PER EC4043	2016-03-18
A	INITIAL RELEASE PER EC4043	2016-03-23
B	REVISED PER EC5326	2018-12-12



ITEM NO.	QTY.	DESCRIPTION	COMMENTS
1	2	BRACKET, FOOT, 12-SERIES	
2	2	STRAP, TOY, TACO, 2005, BLACK PC	
3	8	RIVET, 3/16", .25- .375" ALUMINUM, BLACK	
4	1	ASSY, HARDWARE, STRAP	NOT SHOWN
5	1	SHEET, INSTRUCTION, STRAP, TRILINGUAL	NOT SHOWN
6	1	BOX, ACCESSORY, CRAFT	NOT SHOWN

SCALE 1:2.5		APPROVALS	DATE
CAD GENERATED DRAWING DO NOT MANUALLY UPDATE. MODEL REFERENCED: A		DRAWN BY ABB	2018-11-19
TOLERANCES ARE IN INCHES, AND MILLIMETERS TOLERANCES UNLESS OTHERWISE STATED ARE:		CHECKED MDH	2018-11-20
MECH. ENG. KLR			2018-11-20
MILLIMETERS DECIMALS XX. ± 1.0mm XX.X ± 0.5mm	INCHES DECIMALS X.X ± 0.1 X.XX ± 0.04 X.XXX ± 0.02	ANGLES ± 0.5°	ELEC. ENG.
	FRACTIONS ± 1/64	TEST ENG. JRT	2018-12-03
THIRD ANGLE PROJECTION		SALES.	
		Electronically Controlled Use Latest Copy	

		ACCESSORY, ROOF MOUNT KIT, 12 SERIES	
		CUSTOMER PART NO. A1238RMK	PRODUCT SERIES: ACCESSORY
SIZE: A	DWG. NO. A1238RMK	REV. B	
SHEET 1 OF 1		Project: EC.4043	Date Created: 2016-03-02

PROPRIETARY AND CONFIDENTIAL INFORMATION

THIS DRAWING AND THE DESIGN AND OTHER INFORMATION DISCLOSED HEREIN ARE THE PROPERTY OF ELECTRONIC CONTROLS COMPANY AND/OR ITS ECCO SAFETY GROUP AFFILIATES ("ECCO") AND IS ISSUED IN CONFIDENCE TO RECIPIENT FOR ENGINEERING INFORMATION PURPOSES ONLY. THIS DRAWING AND THE DESIGN AND OTHER INFORMATION DISCLOSED HEREIN MAY NOT BE USED, COPIED, REPRODUCED OR OTHERWISE DISCLOSED IN PART OR IN WHOLE TO THIRD PARTIES OR USED FOR ANY OTHER PURPOSE WITHOUT PRIOR ECCO WRITTEN CONSENT. ECCO RESERVES ALL PATENT, COPYRIGHT, TRADEMARK AND OTHER PROPRIETARY RIGHTS TO THIS DOCUMENT, INCLUDING ALL DESIGN, MANUFACTURING, REPRODUCTION, USE AND SALES RIGHTS THERETO. THIS DRAWING IS SUBJECT TO RECALL BY ECCO AT ANY TIME, AND YOUR POSSESSION AND/OR USE CONSTITUTES ACCEPTANCE OF THESE TERMS. ©2016 ELECTRONIC CONTROLS COMPANY