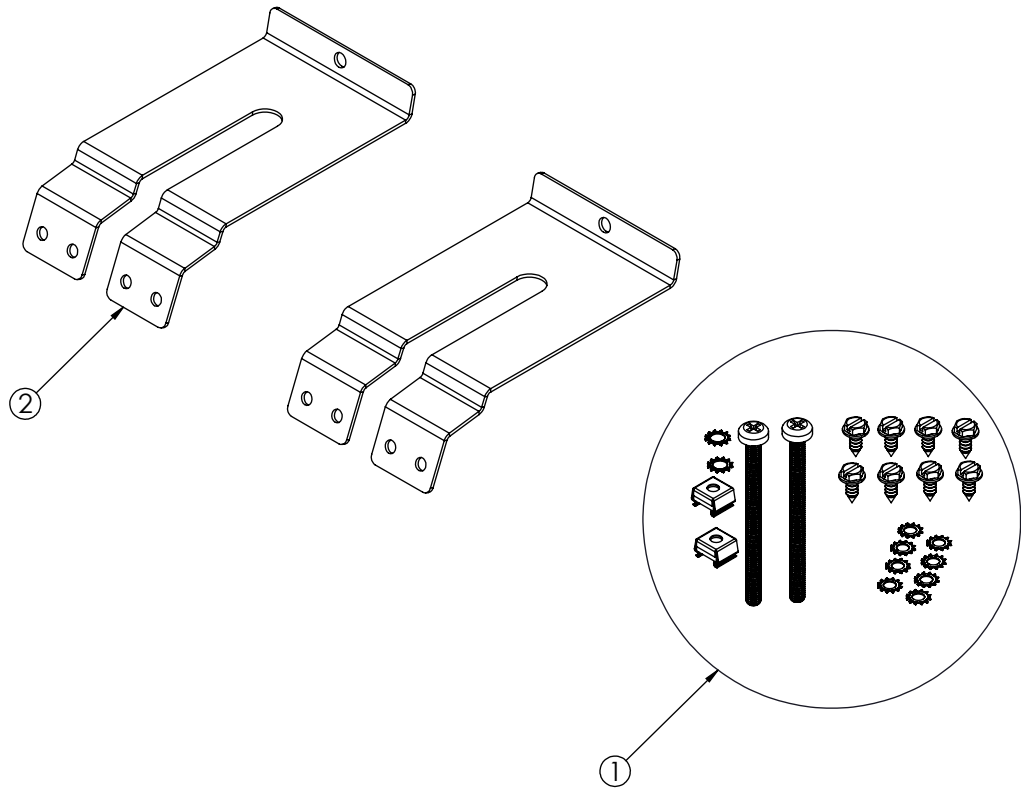


REVISION HISTORY		
REV.	DESCRIPTION	DATE
01	PRELIMINARY RELEASE PER P09040	2011-02-04
02	REVISED PER P09040	2011-04-14
A	INITIAL RELEASE PER P09040	2011-05-12



ITEM NO.	QTY.	DESCRIPTION	COMMENTS
1	1	ASSY, HARDWARE, STRAP	
2	2	STRAP, GM TRUCK 1/2T, 2010	
3	1	SHEET, INSTRUCTION, STRAP	NOT SHOWN
4	1	BOX, ACCESSORY, 7.25X4.06X9.69, WHITE	NOT SHOWN
5	1	BAG, POLY, 8 X 10, .4 MIL	NOT SHOWN

SCALE 1:3		APPROVALS	DATE
CAD GENERATED DRAWING DO NOT MANUALLY UPDATE. MODEL REFERENCED: A		DRAWN BY BND	2011-04-14
		CHECKED MDH	2011-05-02
TOLERANCES ARE IN INCHES, AND MILLIMETERS TOLERANCES ARE:		MECH. ENG. JLA	2011-05-02
		ELEC. ENG. N/A	2011-05-05
MILLIMETERS DECIMALS XX. ± 1.0mm XX.X ± 0.5mm	INCHES DECIMALS X.X ± 0.1 X.XX ± 0.04 X.XXX ± 0.02	ANGLES ± 0.5°	TEST ENG. JRT 2011-05-02
		FRACTIONS ± 1/64	SALES. DEH 2011-05-05
THIRD ANGLE PROJECTION			

**ECCO®**

**ACCESSORY, ROOF MOUNT KIT, 10-20 SERIES**

CUSTOMER PART NO. **A1027RMK** PRODUCT SERIES: **ACCESSORY**

SIZE: **A** DWG. NO. **A1027RMK** REV. **A**

SHEET 1 OF 1 Project: P09040 Date Created: 2011-02-04

NON DISCLOSURE AGREEMENT

THIS DRAWING AND THE DESIGN IT DISCLOSES ARE THE PRIVATE PROPERTY OF ECCO AND IS ISSUED IN CONFIDENCE FOR ENGINEERING INFORMATION ONLY. THE DRAWING AND / OR DESIGN MAY NOT BE USED, COPIED, REPRODUCED, OR OTHERWISE DISCLOSED IN PART OR AS A WHOLE TO OUTSIDERS OR USED FOR ANY OTHER PURPOSE WITHOUT THE PRIOR WRITTEN CONSENT OF ECCO. THE DRAWING IS SUBJECT TO RECALL AT ANY TIME. YOUR POSSESSION OF THIS DOCUMENT CONSTITUTES ACCEPTANCE OF THESE TERMS. © 2011 ECCO