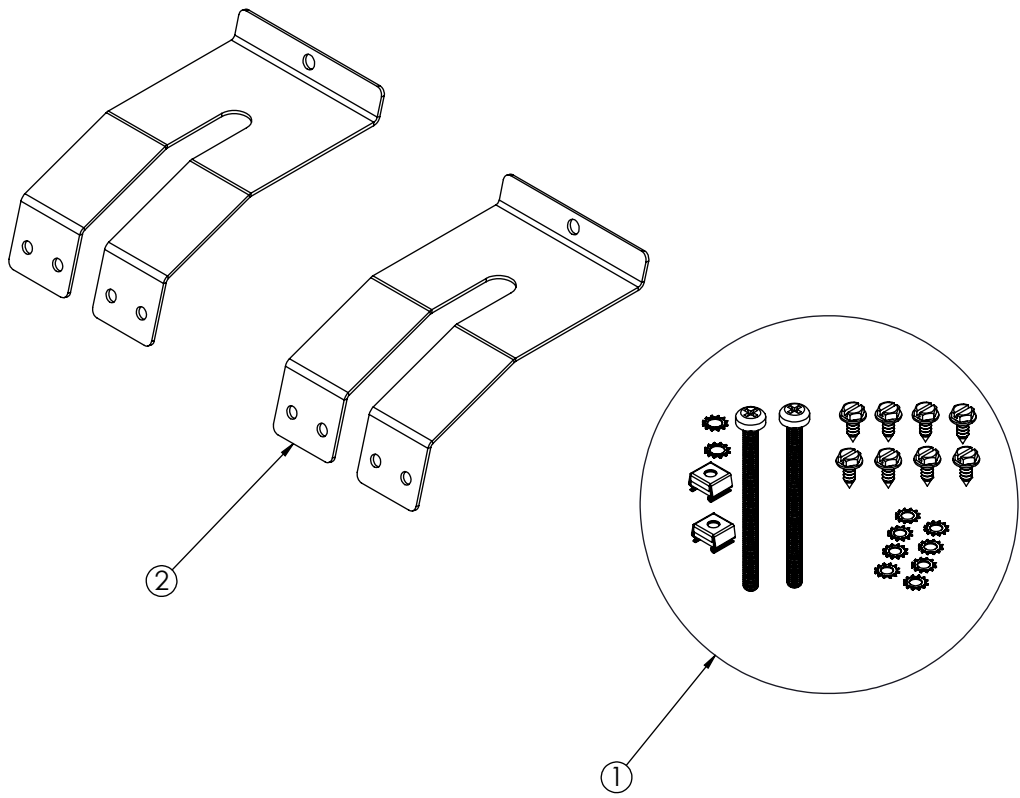


REVISION HISTORY		
REV.	DESCRIPTION	DATE
01	PRELIMINARY RELEASE PER P09040	2011-02-03
02	REVISED PER P09040	2011-04-14
A	INITIAL RELEASE PER P09040	2011-05-24



ITEM NO.	QTY.	DESCRIPTION	COMMENTS
1	1	ASSY,HARDWARE,STRAP	
2	2	STRAP,FORD,TRUCK,SD,'10	
3	1	SHEET, INSTRUCTION,STRAP	NOT SHOWN
4	1	BOX,ACCESSORY,7.25X4.06X9.69,WHITE	NOT SHOWN
5	1	BAG,POLY,8 X 10,,4 MIL	NOT SHOWN

SCALE 1:3		APPROVALS		DATE	
CAD GENERATED DRAWING DO NOT MANUALLY UPDATE. MODEL REFERENCED:02		DRAWN BY	BND	2011-04-14	
		CHECKED	MDH	2011-05-02	
TOLERANCES ARE IN INCHES, AND MILLIMETERS TOLERANCES ARE:		MECH. ENG.	JLA	2011-05-02	
		ELEC. ENG.	N/A	2011-05-05	
MILLIMETERS DECIMALS		INCHES DECIMALS		ANGLES	
XX. ± 1.0mm		X.X ± 0.1		± 0.5°	
XX.X ± 0.5mm		X.XX ± 0.04		FRACTIONS	
		X.XXX ± 0.02		± 1/64	
		TEST ENG.	JRT	2011-05-02	
		SALES.	DEH	2011-05-05	



ACCESSORY, ROOF MOUNT KIT, 10-20 SERIES

CUSTOMER PART NO. A1026RMK		PRODUCT SERIES: ACCESSORY	
SIZE: A	DWG. NO. A1026RMK	REV. A	
SHEET 1 OF 1	Project: P09040	Date Created: 2011-02-03	

NON DISCLOSURE AGREEMENT
THIS DRAWING AND THE DESIGN IT DISCLOSES ARE THE PRIVATE PROPERTY OF ECCO AND IS ISSUED IN CONFIDENCE FOR ENGINEERING INFORMATION ONLY. THE DRAWING AND / OR DESIGN MAY NOT BE USED, COPIED, REPRODUCED, OR OTHERWISE DISCLOSED IN PART OR AS A WHOLE TO OUTSIDERS OR USED FOR ANY OTHER PURPOSE WITHOUT THE PRIOR WRITTEN CONSENT OF ECCO. THE DRAWING IS SUBJECT TO RECALL AT ANY TIME. YOUR POSSESSION OF THIS DOCUMENT CONSTITUTES ACCEPTANCE OF THESE TERMS. © 2011 ECCO

