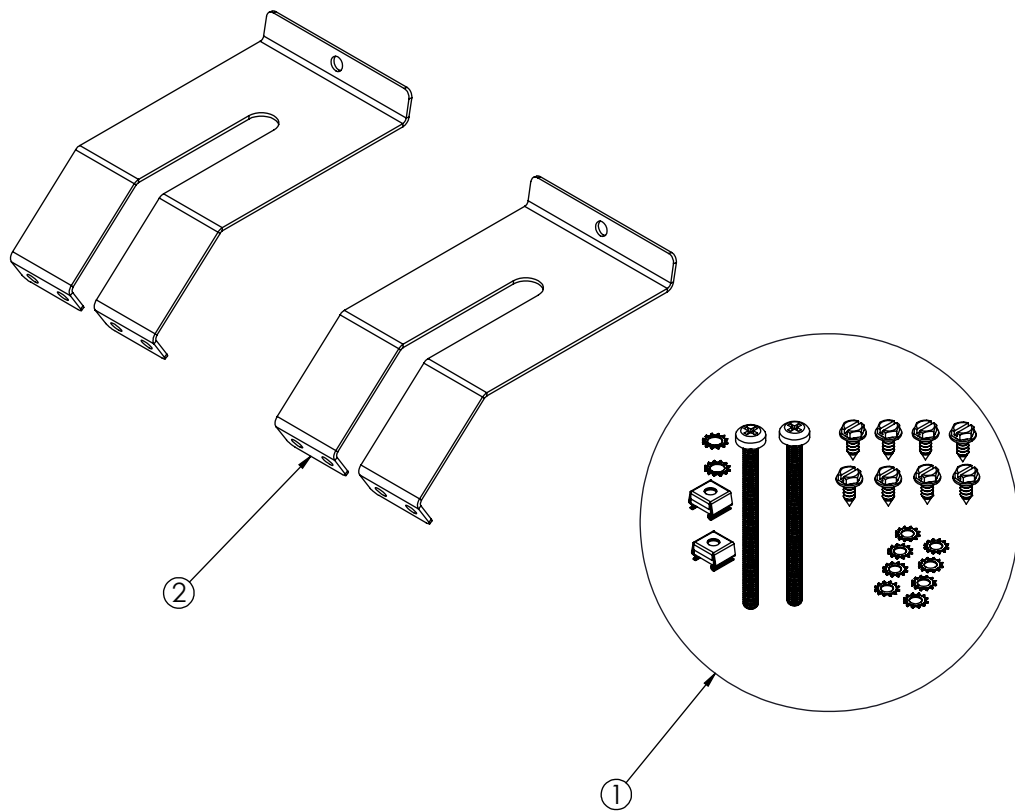


| REVISION HISTORY | | |
|------------------|--------------------------------|------------|
| REV. | DESCRIPTION | DATE |
| 01 | PRELIMINARY RELEASE PER P09040 | 2011-02-03 |
| 02 | REVISED PER P09040 | 2011-04-14 |
| A | INITIAL RELEASE PER P09040 | 2011-05-12 |



| ITEM NO. | QTY. | DESCRIPTION | COMMENTS |
|----------|------|------------------------------------|-----------|
| 1 | 1 | ASSY,HARDWARE,STRAP | |
| 2 | 2 | STRAP,FORD TRUCK 1/2T,2010 | |
| 3 | 1 | SHEET, INSTRUCTION,STRAP | NOT SHOWN |
| 4 | 1 | BOX,ACCESSORY,7.25X4.06X9.69,WHITE | NOT SHOWN |
| 5 | 1 | BAG,POLY,8 X 10,,4 MIL | NOT SHOWN |

| | | | |
|---|---|---------------------|-----------------------------|
| SCALE 1:3 | | APPROVALS | DATE |
| CAD GENERATED DRAWING DO NOT MANUALLY UPDATE. MODEL REFERENCED:02 | | DRAWN BY BND | 2011-04-14 |
| | | CHECKED MDH | 2011-05-02 |
| TOLERANCES ARE IN INCHES, AND MILLIMETERS TOLERANCES ARE: | | MECH. ENG. JLA | 2011-05-02 |
| | | ELEC. ENG. N/A | 2011-05-05 |
| MILLIMETERS DECIMALS XX. ± 1.0mm XX.X ± 0.5mm | INCHES DECIMALS X.X ± 0.1 X.XX ± 0.04 X.XXX ± 0.02 | ANGLES ± 0.5° | TEST ENG. JRT 2011-05-02 |
| | | FRACTIONS ± 1/64 | SALES. DEH 2011-05-05 |
| THIRD ANGLE PROJECTION | | | |



ACCESSORY, ROOF MOUNT KIT, 10-20 SERIES

| | | | |
|--------------------------------------|-------------------|-------------------------------------|--|
| CUSTOMER PART NO. A1025RMK | | PRODUCT SERIES: ACCESSORY | |
| SIZE: A | DWG. NO. A1025RMK | REV. A | |
| SHEET 1 OF 1 | Project: P09040 | Date Created: 2011-02-03 | |

NON DISCLOSURE AGREEMENT

THIS DRAWING AND THE DESIGN IT DISCLOSES ARE THE PRIVATE PROPERTY OF ECCO AND IS ISSUED IN CONFIDENCE FOR ENGINEERING INFORMATION ONLY. THE DRAWING AND / OR DESIGN MAY NOT BE USED, COPIED, REPRODUCED, OR OTHERWISE DISCLOSED IN PART OR AS A WHOLE TO OUTSIDERS OR USED FOR ANY OTHER PURPOSE WITHOUT THE PRIOR WRITTEN CONSENT OF ECCO. THE DRAWING IS SUBJECT TO RECALL AT ANY TIME. YOUR POSSESSION OF THIS DOCUMENT CONSTITUTES ACCEPTANCE OF THESE TERMS. © 2011 ECCO

