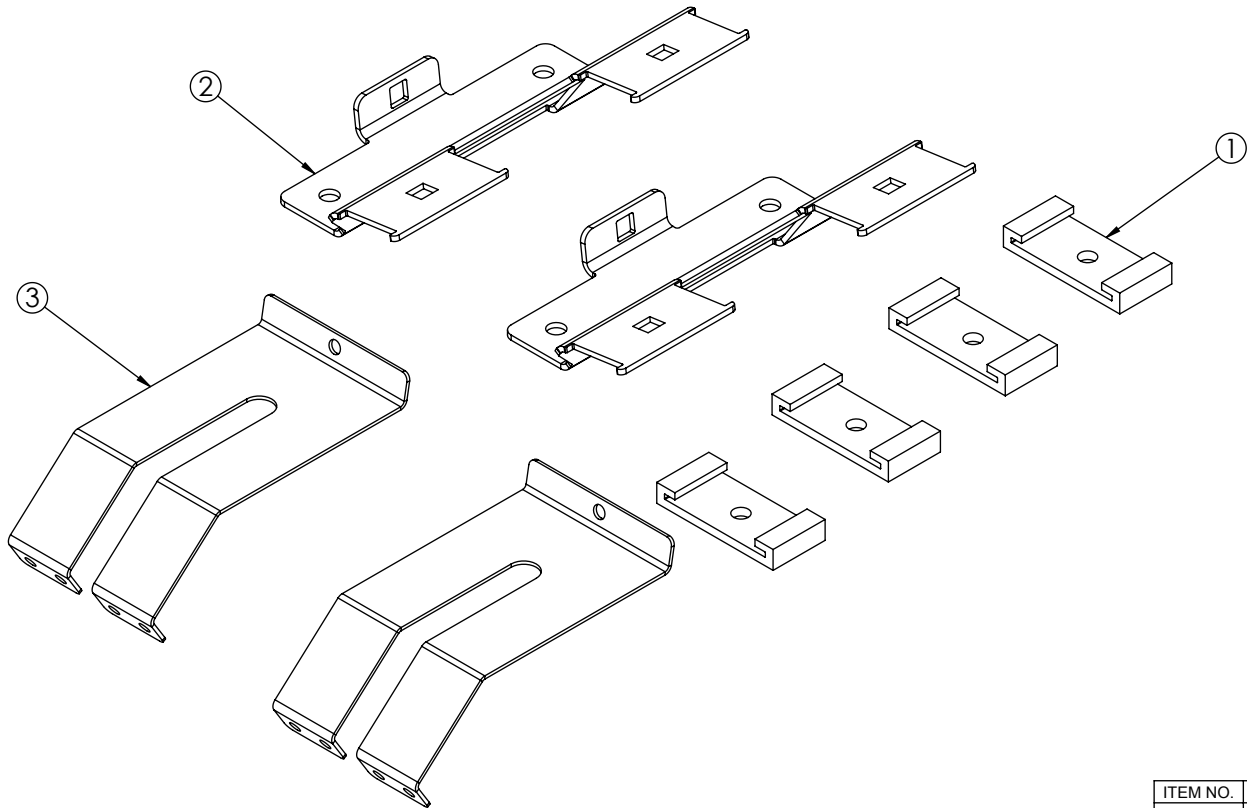


REVISION HISTORY		
REV.	DESCRIPTION	DATE
02	REVISED PER P09040	2011-04-14
A	INITIAL RELEASE PER P09040	2011-05-12
B	REVISED PER EC5326	2018-12-12



ITEM NO.	QTY.	DESCRIPTION	COMMENTS
1	4	MOUNTING PAD,RUBBER,LIGHT BAR	
2	2	FOOT,MOUNTING	
3	2	STRAP,FORD TRUCK 1/2T,2010	
4	1	SHEET, INSTRUCTION,STRAP,TRILINGUAL	NOT SHOWN
5	1	BOX,ACCESSORY,CRAFT	NOT SHOWN
6	1	BAG,POLY,8 X 10,.4 MIL	NOT SHOWN
7	1	ASSY,HARDWARE,FEET	NOT SHOWN
8	1	ASSY,HARDWARE,STRAP	NOT SHOWN

SCALE 1:3		APPROVALS	DATE
CAD GENERATED DRAWING DO NOT MANUALLY UPDATE. MODEL REFERENCED: A		DRAWN BY ABB	2018-11-15
		CHECKED ABD	2018-11-16
TOLERANCES ARE IN INCHES, AND MILLIMETERS TOLERANCES UNLESS OTHERWISE STATED ARE:		MECH. ENG.	
MILLIMETERS DECIMALS XX. ± 1.0mm XX.X ± 0.5mm	INCHES DECIMALS X.X ± 0.1 X.XX ± 0.04 X.XXX ± 0.02	ANGLES ± 0.5°	ELEC. ENG.
	FRACTIONS ± 1/64	TEST ENG. JRT	2018-12-03
		SALES.	
THIRD ANGLE PROJECTION		Electronically Controlled Use Latest Copy	

**ACCESSORY, ROOF MOUNT KIT, 15-30 SERIES**

CUSTOMER PART NO. **A1022RMK**      PRODUCT SERIES: **ACCESSORY**

SIZE: **A**      DWG. NO. **A1022RMK**      REV. **B**

SHEET 1 OF 1      Project: P09040      Date Created: 2011-02-02

PROPRIETARY AND CONFIDENTIAL INFORMATION

THIS DRAWING AND THE DESIGN AND OTHER INFORMATION DISCLOSED HEREIN ARE THE PROPERTY OF ELECTRONIC CONTROLS COMPANY AND/OR ITS ECCO SAFETY GROUP AFFILIATES ("ECCO") AND IS ISSUED IN CONFIDENCE TO RECIPIENT FOR ENGINEERING INFORMATION PURPOSES ONLY. THIS DRAWING AND THE DESIGN AND OTHER INFORMATION DISCLOSED HEREIN MAY NOT BE USED, COPIED, REPRODUCED OR OTHERWISE DISCLOSED IN PART OR IN WHOLE TO THIRD PARTIES OR USED FOR ANY OTHER PURPOSE WITHOUT PRIOR ECCO WRITTEN CONSENT. ECCO RESERVES ALL PATENT, COPYRIGHT, TRADEMARK AND OTHER PROPRIETARY RIGHTS TO THIS DOCUMENT, INCLUDING ALL DESIGN, MANUFACTURING, REPRODUCTION, USE AND SALES RIGHTS THERETO. THIS DRAWING IS SUBJECT TO RECALL BY ECCO AT ANY TIME, AND YOUR POSSESSION AND/OR USE CONSTITUTES ACCEPTANCE OF THESE TERMS. ©2011 ELECTRONIC CONTROLS COMPANY