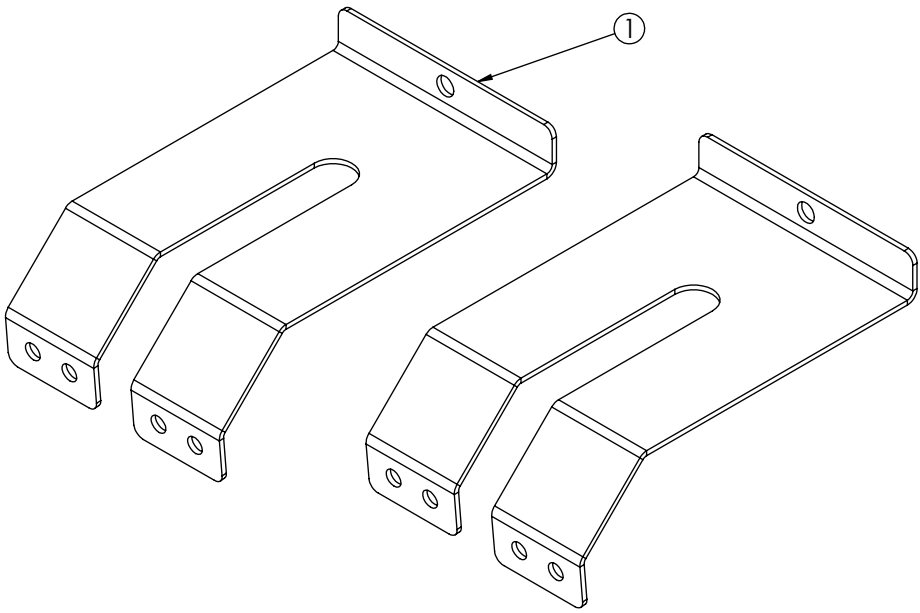


8 7 6 5 4 3 2 1

REVISION HISTORY		
REV.	DESCRIPTION	DATE
01	PRELIMINARY RELEASE PER P3# 05008	2005-07-27
A	INITIAL RELEASE PER P3# 05008	2005-09-29



ITEM NO.	QTY.	DESCRIPTION	COMMENTS
1	2	STRAP,FORD,CROWN VIC,'98	
2	1	ASSY,HARDWARE,STRAP	NOT SHOWN
3	1	SHEET, INSTRUCTION,STRAP	NOT SHOWN
4	1	BOX,ACCESSORY,7.25X4.06X9.69,WHITE	NOT SHOWN

APPROVALS		DATE
DRAWN BY	DJG	
CHECKED		
ELEC. ENG.		
MECH. ENG.		
TEST ENG.		
SALES		

ECCO

ACCESSORY, ROOF MOUNT KIT, 10-20 SERIES

Project: 05008 Date Created: 2005-07-27

SIZE DWG. NO. **A1013RMK** REV. **A**

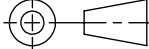
SCALE 1:2 PREPARED PER ASME 14.100M-1998 / ASME Y14.1-1995 SHEET 1 OF 1

NON DISCLOSURE AGREEMENT

THIS DRAWING AND THE DESIGN IT DISCLOSES ARE THE PRIVATE PROPERTY OF ECCO AND IS ISSUED IN CONFIDENCE FOR ENGINEERING INFORMATION ONLY. THE DRAWING AND / OR DESIGN MAY NOT BE USED, COPIED, REPRODUCED, OR OTHERWISE DISCLOSED IN PART OR AS A WHOLE TO OUTSIDERS OR USED FOR ANY OTHER PURPOSE WITHOUT THE PRIOR WRITTEN CONSENT OF ECCO. THE DRAWING IS SUBJECT TO RECALL AT ANY TIME. YOUR POSSESSION OF THIS DOCUMENT CONSTITUTES ACCEPTANCE OF THESE TERMS. © 2005 ECCO

CAD GENERATED DRAWING
DO NOT MANUALLY UPDATE.
MODEL REFERENCED: A

THIRD ANGLE PROJECTION



8 7 6 5 4 3 2 1