

BEACONS | MINIBARS | LIGHTBARS | DIRECTIONALS | WORKLAMPS | UTILITY BARS | INTERIOR LIGHTING | REVERSING SAFETY

9400 Series Remote Strobe Systems

This feature-packed 9400 Series power supply is designed and built to withstand the toughest applications. Weatherproof connections and epoxy-filled diecast aluminum housing with capacitor heat dissipation cradles are why this power supply offers unrivaled protection against heat, vibration, dust and moisture. Available individually or in systems.

Models

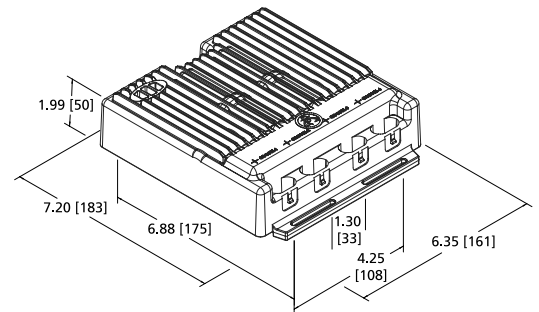
PART NO.	VDC	WATTS	MODE	FPM
9460	12-24	60	Hi/Lo	70 Double/65 Quad

Hide-Away Systems

PART NO.	COLOR	CABLE	VDC	FPM
9460-1	Clear	Four 15'	12-24	70 Double/65 Quad
9460-11	Clear	Two 15'/Two 20'	12-24	70 Double/65 Quad
9460-14	Clear	Two 20'/Two 25'	12-24	70 Double/65 Quad
9460-15	Amber	Four 15'	12-24	70 Double/65 Quad
9460-16	Amber	Two 15'/Two 35'	12-24	70 Double/65 Quad
9460-18	Clear	Two 15'/Two 35'	12-24	70 Double/65 Quad
9460-19	Clear	Four 25'	12-24	70 Double/65 Quad
9460-20	Amber	Four 25'	12-24	70 Double/65 Quad
9460-22	Clear	Four 35'	12-24	70 Double/65 Quad

Features and Benefits

- Die-cast aluminum housing and epoxy-encapsulated electronics for heavy-duty protection against dust, moisture, and vibration
- Weatherproof housing and connections allow mounting anywhere on vehicle
- Hide-away and directional strobe systems available
- 60 Watt Power System
- Switchable high/low intensity and double/quad flash
- Short circuit protection, output power regulation and flashtube fault detection
- CE, R10
- Temperature Range: -22°F to +122°F (-30°C to +50°C)
- Warranty: Power Supply = 2 years / Flashtube = 6 months



Replacement Parts

- Strobe light heads: 9001X Hide-away
9006X Oval
- Cables - Shielded:

9915	15'
9920	20'
9925	25'
9935	35'
9950	50'
9900-BULK	500' Roll
- Cables - Non-shielded:

9915S	15'
9935S	35'
9950S	50'
- Adapters: A9000AMP
Connector and pins
R9000PCH
Power cable