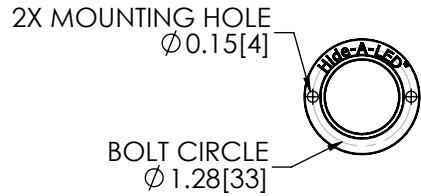
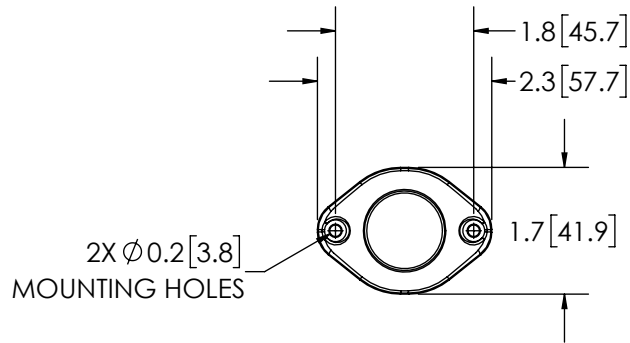


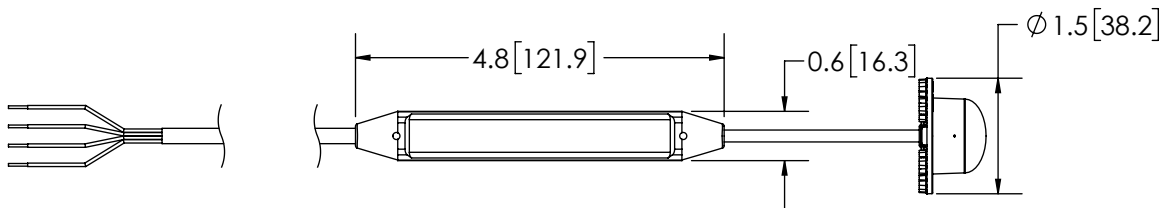
TOP VIEW



RIGHT VIEW



**RIGHT VIEW
W/RVBEZ**



FRONT VIEW

REVISION HISTORY		
REV.	DESCRIPTION	DATE
A	INITIAL RELEASE PER LM11222	2012-10-30
B	REVISE PER EC4183	2015-12-11
C	REVISED PER EL0188	2021-11-12

COLOR CHART	
FGS. NO.	COLOR
9014A	AMBER
9014B	CLEAR
9014C	WHITE
9014R	RED

SPECIFICATIONS

- CERTIFICATIONS: **CE**; CE, IP67, ECE R10;
Note: Unique components, accessories, and hardware kits are not typically included in the Product Certification Test Protocols. Unless otherwise Specified, the Product Certifications referred to herein are predicated upon the base product model configuration.
- FLASH MODE: QUAD : 75 ± 5 FLASHES PER MINUTE
DOUBLE : 75 ± 5 FLASHES PER MINUTE
TRIPLE : 92 ± 5 FLASHES PER MINUTE
- VOLTAGE (NOMINAL): 12 to 24 VDC
- VOLTAGE (EXTREME): 9.0 to 32 VDC
- CURRENT (PEAK): 0.9A (@ 12 VDC NOMINAL)
- POWER (MAXIMUM): 11.0W (@ 12 VDC NOMINAL)
- TEMPERATURE RANGE: -22°F (-30°C) TO 122°F (50°C)
- CONNECTION: 9 Foot (2.74 Meters) 4 X 22 AWG Conductor Cable with Black Outer Jacket
- MOUNTING: 1 IN. THRU HOLE OR SURFACE
- BASE MATERIAL: ALUMINUM
- LENS MATERIAL: POLYCARBONATE
- PRODUCT WEIGHT: 0.6 LBS (0.27 Kg)

NOTES:
1. DIMENSIONS IN INCHES[MILLIMETERS(FOR REFERENCE)]

PROPRIETARY AND CONFIDENTIAL INFORMATION

THIS DRAWING AND THE DESIGN AND OTHER INFORMATION DISCLOSED HEREIN ARE THE PROPERTY OF ELECTRONIC CONTROLS COMPANY AND/OR ITS ECCO SAFETY GROUP AFFILIATES ("ECCO") AND IS ISSUED IN CONFIDENCE TO RECIPIENT FOR ENGINEERING INFORMATION PURPOSES ONLY. THIS DRAWING AND THE DESIGN AND OTHER INFORMATION DISCLOSED HEREIN MAY NOT BE USED, COPIED, REPRODUCED OR OTHERWISE DISCLOSED IN PART OR IN WHOLE TO THIRD PARTIES OR USED FOR ANY OTHER PURPOSE WITHOUT PRIOR ECCO WRITTEN CONSENT. ECCO RESERVES ALL PATENT, COPYRIGHT, TRADEMARK AND OTHER PROPRIETARY RIGHTS TO THIS DOCUMENT, INCLUDING ALL DESIGN, MANUFACTURING, REPRODUCTION, USE AND SALES RIGHTS THERETO. THIS DRAWING IS SUBJECT TO RECALL BY ECCO AT ANY TIME, AND YOUR POSSESSION AND/OR USE CONSTITUTES ACCEPTANCE OF THESE TERMS. ©2012 ELECTRONIC CONTROLS COMPANY

SCALE 1:2.5		APPROVALS	DATE	
CAD GENERATED DRAWING DO NOT MANUALLY UPDATE.		DRAWN BY JW	2021-11-11	
TOLERANCES ARE IN INCHES, AND MILLIMETERS TOLERANCES UNLESS OTHERWISE STATED ARE:		CHECKED BTK	2021-11-11	LED FLASHER, HAL, 12-24VDC
MILLIMETERS DECIMALS XX. ± 1.0mm XX.X ± 0.5mm	INCHES DECIMALS X.X ± 0.1 X.XX ± 0.04 X.XXX ± 0.02	MECH. ENG.		
	ANGLES ± 0.5° FRACTIONS ± 1/64	ELEC. ENG.		CUSTOMER PART NO. SEE CHART
	THIRD ANGLE PROJECTION	TEST ENG. JRT	2021-11-11	
		SALES.		SIZE: A DWG. NO. 9014X REV. C
		Electronically Controlled Use Latest Copy		SHEET 1 OF 1 Project: LM11222 Date Created: 2012-10-22