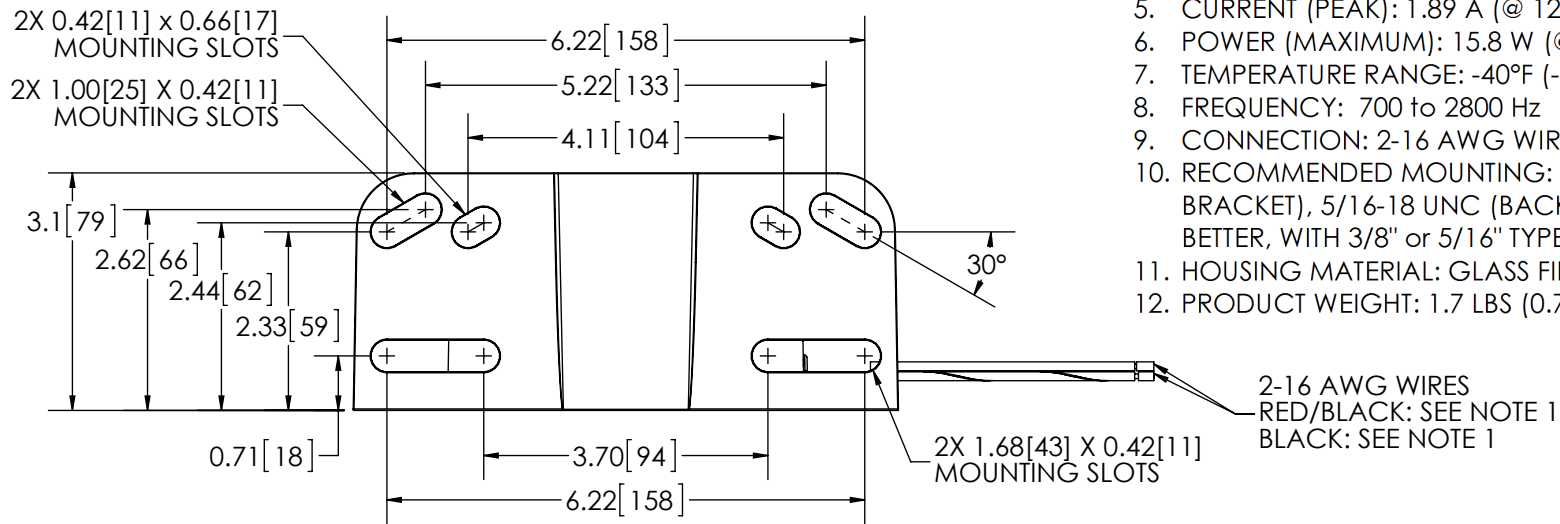
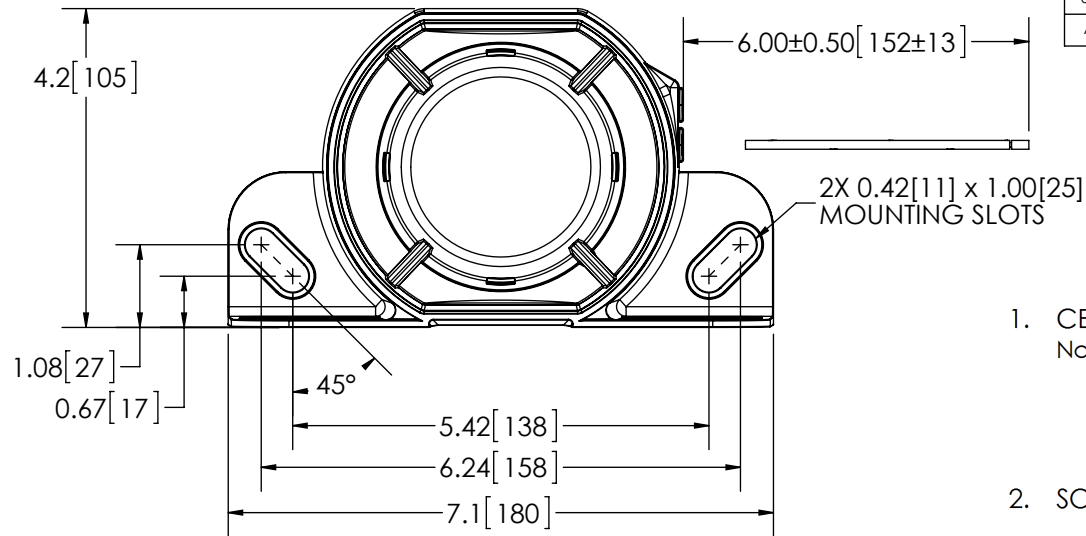


REVISION HISTORY		
REV.	DESCRIPTION	DATE
01	PRELIMINARY RELEASE PER P10017	2013-02-08
02	REVISED PER P10017	2013-02-26
A	INITIAL RELEASE PER P10017	2013-03-15



SPECIFICATIONS

- CERTIFICATIONS: **CE**; e; PENDING
Note: Unique components, accessories, and hardware kits are not typically Included in the Product Certification Test Protocols. Unless otherwise Specified, the Product Certifications referred to herein are predicated upon the base product model configuration.
- SOUND PRESSURE LEVEL: 112 ± 4 dB (A) @ 1.2m (4ft)
 97 ± 4 dB (A) @ 1.2m (4ft)
- VOLTAGE (NOMINAL): 12 to 36 VDC
- VOLTAGE (EXTREME): 9.0 to 42.0 VDC
- CURRENT (PEAK): 1.89 A (@ 12 VDC NOMINAL)
- POWER (MAXIMUM): 15.8 W (@ 12 VDC NOMINAL)
- TEMPERATURE RANGE: -40°F (-40°C) TO 185°F (85°C)
- FREQUENCY: 700 to 2800 Hz
- CONNECTION: 2-16 AWG WIRES
- RECOMMENDED MOUNTING: 3/8-16 UNC (BOTTOM BRACKET), 5/16-18 UNC (BACK BRACKET), GRADE 5 OR BETTER, WITH 3/8" or 5/16" TYPE A SERIES N WASHERS
- HOUSING MATERIAL: GLASS FILLED NYLON
- PRODUCT WEIGHT: 1.7 LBS (0.77 Kg)

- NOTES:
- SOUND LEVEL ADJUSTMENT:
112 dB: CONNECT RED/BLK WIRE TO POSITIVE(+)
97 dB: CONNECT BLACK WIRE TO POSITIVE(+)
 - DIMENSIONS IN INCHES[MILLIMETERS (FOR REFERENCE)]

SCALE 1:2.5		APPROVALS	DATE	ECCO®
CAD GENERATED DRAWING DO NOT MANUALLY UPDATE. MODEL REFERENCED:01		DRAWN BY MDH	2013-02-26	
TOLERANCES ARE IN INCHES, AND MILLIMETERS TOLERANCES ARE:		CHECKED BND	2013-02-28	CUSTOMER PART NO. 872N
MILLIMETERS DECIMALS XX ± 1.0mm XX.X ± 0.5mm	INCHES DECIMALS X.X ± 0.1 X.XX ± 0.04 X.XXX ± 0.02	MECH. ENG. JLA	2013-02-26	PRODUCT SERIES: 800
	ANGLES ± 0.5° FRACTIONS ± 1/64	ELEC. ENG. JES	2013-02-28	SIZE: A DWG. NO. 872N
		TEST ENG. JRT	2013-03-11	REV. A
		SALES. DEH	2013-03-13	Project: P10017
THIRD ANGLE PROJECTION		Electronically Controlled Use Latest Copy		Date Created: 2013-02-08