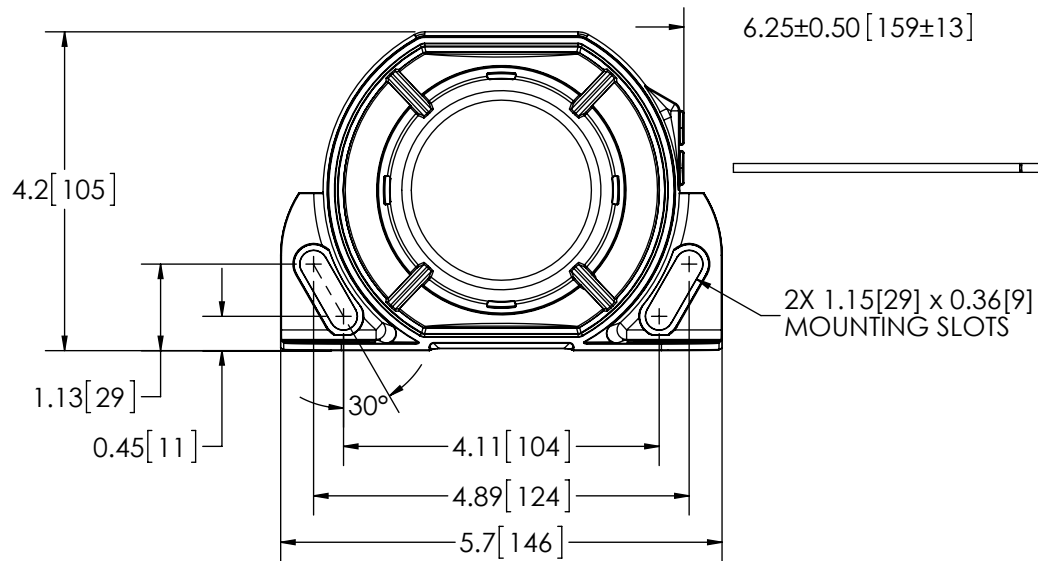


REVISION HISTORY		
REV.	DESCRIPTION	DATE
02	REVISED PER P10017	2013-02-15
03	REVISED PER P10017	2013-07-12
A	INITIAL RELEASE PER P10017	2013-07-30



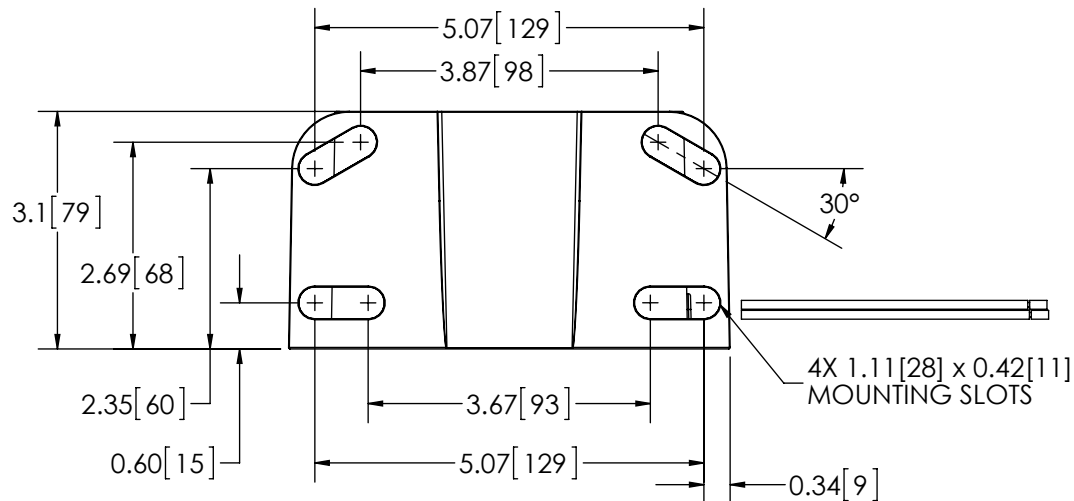
2-16 AWG WIRES  
 RED: POSITIVE(+)  
 BLACK: NEGATIVE(-)

## SPECIFICATIONS


- CERTIFICATIONS: **CE**; e; AMECA/SAE J994 (MAR. 2009) TYPE B;

Note: Unique components, accessories, and hardware kits are not typically included in the Product Certification Test Protocols. Unless otherwise Specified, the Product Certifications referred to herein are predicated upon the base product model configuration.

- SOUND PRESSURE LEVEL: 107 ± 4 dB (A) @ 1.2m (4ft)
- VOLTAGE (NOMINAL): 12 to 36 VDC
- VOLTAGE (EXTREME): 9.0 to 42.0 VDC
- CURRENT (PEAK): 0.95 A (@ 12 VDC NOMINAL)
- POWER (MAXIMUM): 11.4 W (@ 12 VDC NOMINAL)
- TEMPERATURE RANGE: -40°F (-40°C) TO 185°F (85°C)
- FREQUENCY: 700 to 2800 Hz
- CONNECTION: 2-16 AWG WIRES
- RECOMMENDED MOUNTING: 3/8-16 UNC (BOTTOM BRACKET), 5/16-18 UNC (BACK BRACKET), GRADE 5 OR BETTER, WITH 3/8" or 5/16" TYPE A SERIES N WASHERS
- HOUSING MATERIAL: GLASS FILLED NYLON
- PRODUCT WEIGHT: 1.7 LBS (0.77 Kg)



- NOTES:  
 1. DIMENSIONS IN INCHES [MILLIMETERS (FOR REFERENCE)]

SCALE 1:2.5		APPROVALS	DATE	 <b>ALARM, BACK-UP, 107DBA, 12-36VDC, GFN</b>															
CAD GENERATED DRAWING DO NOT MANUALLY UPDATE. MODEL REFERENCED:02		DRAWN BY MDH	2013-07-12																
TOLERANCES ARE IN INCHES, AND MILLIMETERS TOLERANCES ARE:		CHECKED BND	2013-07-15																
<table border="1"> <tr> <th>MILLIMETERS DECIMALS</th> <th>INCHES DECIMALS</th> <th>ANGLES</th> <th>FRACTIONS</th> </tr> <tr> <td>XX. ± 1.0mm</td> <td>X.X ± 0.1</td> <td>± 0.5°</td> <td></td> </tr> <tr> <td>XX.X ± 0.5mm</td> <td>X.XX ± 0.04</td> <td></td> <td></td> </tr> <tr> <td></td> <td>X.XXX ± 0.02</td> <td></td> <td>± 1/64</td> </tr> </table>		MILLIMETERS DECIMALS	INCHES DECIMALS		ANGLES	FRACTIONS	XX. ± 1.0mm	X.X ± 0.1	± 0.5°		XX.X ± 0.5mm	X.XX ± 0.04				X.XXX ± 0.02		± 1/64	MECH. ENG. JLA
MILLIMETERS DECIMALS	INCHES DECIMALS	ANGLES	FRACTIONS																
XX. ± 1.0mm	X.X ± 0.1	± 0.5°																	
XX.X ± 0.5mm	X.XX ± 0.04																		
	X.XXX ± 0.02		± 1/64																
		ELEC. ENG. JES	2013-07-15	CUSTOMER PART NO. <b>830N</b>															
		TEST ENG. JRT	2013-07-15		PRODUCT SERIES: <b>800</b>														
		SALES. DEH	2013-07-12	SIZE: <b>A</b>															
				DWG. NO. <b>830N</b>															
				REV. <b>A</b>															
				Project: P10017															
				Date Created: 2013-02-05															
				SHEET 1 OF 1															
				Electronically Controlled Use Latest Copy															

THIS DRAWING AND THE DESIGN IT DISCLOSES ARE THE PRIVATE PROPERTY OF ECCO AND IS ISSUED IN CONFIDENCE FOR ENGINEERING INFORMATION ONLY. THE DRAWING AND / OR DESIGN MAY NOT BE USED, COPIED, REPRODUCED, OR OTHERWISE DISCLOSED IN PART OR AS A WHOLE TO OUTSIDERS OR USED FOR ANY OTHER PURPOSE WITHOUT THE PRIOR WRITTEN CONSENT OF ECCO. THE DRAWING IS SUBJECT TO RECALL AT ANY TIME. YOUR POSSESSION OF THIS DOCUMENT CONSTITUTES ACCEPTANCE OF THESE TERMS. © 2013 ECCO

