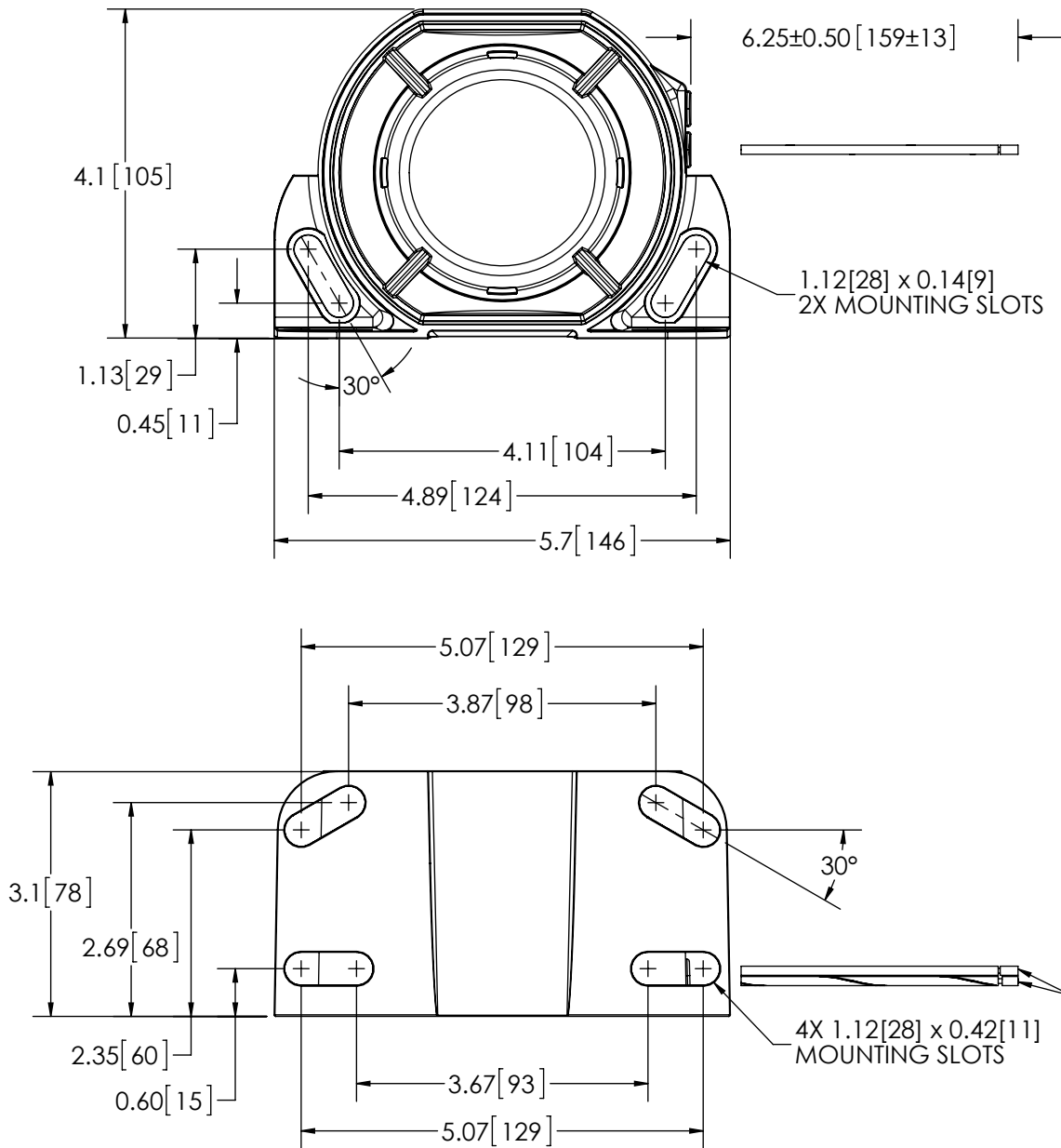


REVISION HISTORY		
REV.	DESCRIPTION	DATE
05	REVISED PER P10017	2013-03-19
06	REVISED PER P10017	2013-04-08
A	INITIAL RELEASE PER P10017	2013-04-17



### SPECIFICATIONS

- CERTIFICATIONS: **CE**; **UL**; e;  
 Note: Unique components, accessories, and hardware kits are not typically included in the Product Certification Test Protocols. Unless otherwise Specified, the Product Certifications referred to herein are predicated upon the base product model configuration.
- SOUND PRESSURE LEVEL: 107 ± 4 dB (A) @ 1.2m (4ft)  
 87 ± 4 dB (A) @ 1.2m (4ft)
- VOLTAGE (NOMINAL): 12 to 36 VDC
- VOLTAGE (EXTREME): 9.0 to 42.0 VDC
- CURRENT (PEAK): 1.47 A (@ 12 VDC NOMINAL)
- POWER (MAXIMUM): 11.0 W (@ 12 VDC NOMINAL)
- TEMPERATURE RANGE: -40°F (-40°C) TO 185°F (85°C)
- FREQUENCY: 700 to 2800 Hz
- CONNECTION: 2-16 AWG WIRES
- RECOMMENDED MOUNTING: 3/8-16 UNC (BOTTOM BRACKET), 5/16-18 UNC (BACK BRACKET), GRADE 5 OR BETTER, WITH 3/8" or 5/16" TYPE A SERIES N WASHERS
- HOUSING MATERIAL: GLASS FILLED NYLON
- PRODUCT WEIGHT: 1.7 LBS (0.77 Kg)

**NOTES:**  
 1. SOUND LEVEL ADJUSTMENT:  
 107 dB: CONNECT RED/BLK WIRE TO POSITIVE(+)  
 87dB: CONNECT BLACK WIRE TO POSITIVE(+)  
 OPPOSITE WIRE TO BE CONNECTED TO NEGATIVE(-)  
 2. DIMENSIONS IN INCHES[MILLIMETERS(FOR REFERENCE)]

SCALE 1:2.25		APPROVALS	DATE	<b>ECCO</b> <sup>®</sup>
CAD GENERATED DRAWING DO NOT MANUALLY UPDATE. MODEL REFERENCED:A		DRAWN BY MDH	2013-04-08	
TOLERANCES ARE IN INCHES, AND MILLIMETERS TOLERANCES ARE:		CHECKED BND	2013-04-09	
MILLIMETERS DECIMALS XX ± 1.0mm XX.X ± 0.5mm	INCHES DECIMALS X.X ± 0.1 X.XX ± 0.04 X.XXX ± 0.02	MECH. ENG. JLA	2013-04-08	<b>ALARM, BACK-UP, 87 OR 107DBA, 12-36VDC, GFN</b>
ANGLES ± 0.5° FRACTIONS ± 1/64		ELEC. ENG. JES	2013-04-08	
THIRD ANGLE PROJECTION		TEST ENG. JRT	2013-04-10	
NON DISCLOSURE AGREEMENT		SALES. DEH	2013-04-11	
<small>THIS DRAWING AND THE DESIGN IT DISCLOSES ARE THE PRIVATE PROPERTY OF ECCO AND IS ISSUED IN CONFIDENCE FOR ENGINEERING INFORMATION ONLY. THE DRAWING AND / OR DESIGN MAY NOT BE USED, COPIED, REPRODUCED, OR OTHERWISE DISCLOSED IN PART OR AS A WHOLE TO OUTSIDERS OR USED FOR ANY OTHER PURPOSE WITHOUT THE PRIOR WRITTEN CONSENT OF ECCO. THE DRAWING IS SUBJECT TO RECALL AT ANY TIME. YOUR POSSESSION OF THIS DOCUMENT CONSTITUTES ACCEPTANCE OF THESE TERMS. © 2013 ECCO</small>				CUSTOMER PART NO. <b>820N</b>
				PRODUCT SERIES: <b>800</b>
SIZE: <b>A</b>		DWG. NO. <b>820N</b>		REV. <b>A</b>
SHEET 1 OF 1		Project: P10017		Date Created: 2013-02-05
Electronically Controlled Use Latest Copy				