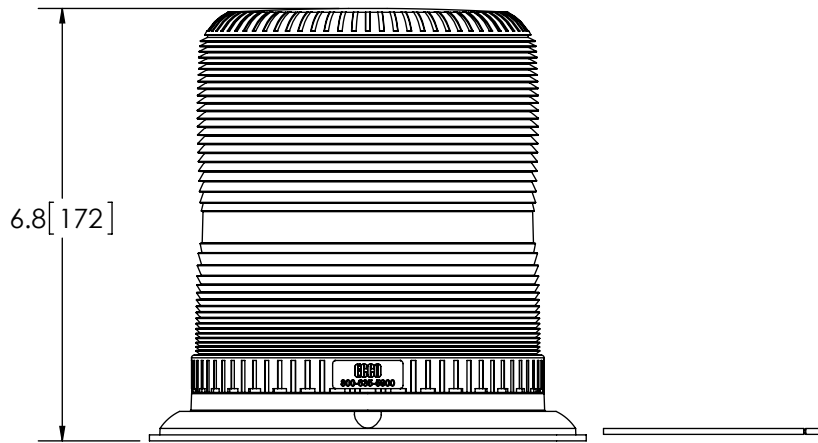
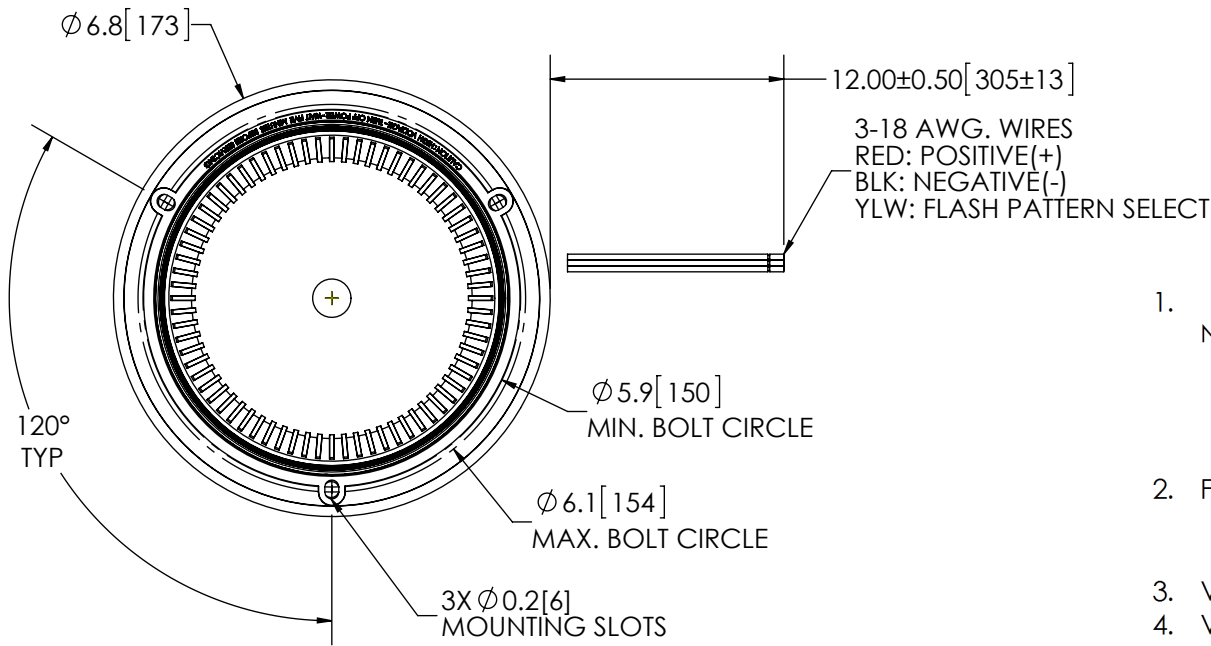


| REVISION HISTORY | | |
|------------------|--------------------------------|------------|
| REV. | DESCRIPTION | DATE |
| 01 | PRELIMINARY RELEASE PER P12027 | 2013-08-27 |
| A | INITIAL RELEASE PER P12027 | 2013-08-29 |
| B | REVISE PER P12027 | 2014-05-15 |


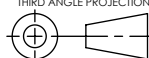


SPECIFICATIONS

- CERTIFICATIONS: SEE CHART
 Note: Unique components, accessories, and hardware kits are not typically included in the Product Certification Test Protocols. Unless otherwise Specified, the Product Certifications referred to herein are predicated upon the base product model configuration.
- FLASH MODE: SINGLE : 60 ± 5 FLASHES PER MINUTE
 SINGLE : 120 ± 5 FLASHES PER MINUTE
 DOUBLE : 80 ± 5 FLASHES PER MINUTE
- VOLTAGE (NOMINAL): 12 to 24 VDC
- VOLTAGE (EXTREME): 9.0 to 32 VDC
- CURRENT (PEAK): 4.1A (@ 12 VDC NOMINAL)
- POWER (MAXIMUM): 52.5W (@ 12 VDC NOMINAL)
- TEMPERATURE RANGE: $-22^{\circ}\text{F} (-30^{\circ}\text{C})$ TO $122^{\circ}\text{F} (50^{\circ}\text{C})$
- CONNECTION: 3-16 AWG. WIRES
- MOUNTING: FLANGE; PIPE MOUNT
- BASE MATERIAL: ALUMINUM
- LENS MATERIAL: POLYCARBONATE
- PRODUCT WEIGHT: PENDING LBS (0.0 Kg)

| FGS PRODUCT CHART | | |
|-------------------|-------|----------------------|
| FGS. NO. | COLOR | SAE J845 (JUNE 2013) |
| 7980A | AMBER | CLASS 1 |
| 7980B | BLUE | CLASS 2 |
| 7980C | CLEAR | CLASS 1 |
| 7980G | GREEN | N/A |
| 7980R | RED | N/A |

NOTES:
 1. DIMENSIONS IN INCHES [MILLIMETERS (FOR REFERENCE)]

| SCALE 1:3 | | APPROVALS | DATE | | | | | | | | | | | | |
|--|-----------------|---|-----------------|--------|-------------|-----------|--------|--------------|-------------|-----------|--|--------------|--------|---------------------------------------|--|
| CAD GENERATED DRAWING DO NOT MANUALLY UPDATE. MODEL REFERENCED: A | | DRAWN BY: SNS | 2014-05-09 | | | | | | | | | | | | |
| | | CHECKED: MDH | 2014-05-12 | | | | | | | | | | | | |
| TOLERANCES ARE IN INCHES, AND MILLIMETERS TOLERANCES ARE: | | MECH. ENG. NMT | 2014-05-09 | | | | | | | | | | | | |
| | | ELEC. ENG. TJT | 2014-05-09 | | | | | | | | | | | | |
| TEST ENG. JRT | 2014-05-13 |  LED BEACON, 360*, 12-24VDC, 6", HVY DTY | | | | | | | | | | | | | |
| SALES. LAT | 2014-05-14 | | | | | | | | | | | | | | |
| <table border="1"> <thead> <tr> <th>MILLIMETERS DECIMALS</th> <th>INCHES DECIMALS</th> <th>ANGLES</th> </tr> </thead> <tbody> <tr> <td>XX. ± 1.0mm</td> <td>X.X ± 0.1</td> <td>± 0.5°</td> </tr> <tr> <td>XX.X ± 0.5mm</td> <td>X.XX ± 0.04</td> <td>FRACTIONS</td> </tr> <tr> <td></td> <td>X.XXX ± 0.02</td> <td>± 1/64</td> </tr> </tbody> </table> | | MILLIMETERS DECIMALS | INCHES DECIMALS | ANGLES | XX. ± 1.0mm | X.X ± 0.1 | ± 0.5° | XX.X ± 0.5mm | X.XX ± 0.04 | FRACTIONS | | X.XXX ± 0.02 | ± 1/64 | CUSTOMER PART NO. SEE CHART | |
| MILLIMETERS DECIMALS | INCHES DECIMALS | ANGLES | | | | | | | | | | | | | |
| XX. ± 1.0mm | X.X ± 0.1 | ± 0.5° | | | | | | | | | | | | | |
| XX.X ± 0.5mm | X.XX ± 0.04 | FRACTIONS | | | | | | | | | | | | | |
| | X.XXX ± 0.02 | ± 1/64 | | | | | | | | | | | | | |
| THIRD ANGLE PROJECTION  | | PRODUCT SERIES: 7900 | | | | | | | | | | | | | |
| NON DISCLOSURE AGREEMENT | | SIZE: A | DWG. NO. 7980X | | | | | | | | | | | | |
| <small>THIS DRAWING AND THE DESIGN IT DISCLOSES ARE THE PRIVATE PROPERTY OF ECCO AND IS ISSUED IN CONFIDENCE FOR ENGINEERING INFORMATION ONLY. THE DRAWING AND / OR DESIGN MAY NOT BE USED, COPIED, REPRODUCED, OR OTHERWISE DISCLOSED IN PART OR AS A WHOLE TO OUTSIDERS OR USED FOR ANY OTHER PURPOSE WITHOUT THE PRIOR WRITTEN CONSENT OF ECCO. THE DRAWING IS SUBJECT TO RECALL AT ANY TIME. YOUR POSSESSION OF THIS DOCUMENT CONSTITUTES ACCEPTANCE OF THESE TERMS. © 2013 ECCO</small> | | SHEET 1 OF 1 Project: P12027 Date Created: 2013-08-27 | | | | | | | | | | | | | |
| | | Electronically Controlled Use Latest Copy | | | | | | | | | | | | | |

| | | | | |
|--------------|--|-----------------|--|--------------------------|
| SIZE: A | | DWG. NO. 7980X | | REV. B |
| SHEET 1 OF 1 | | Project: P12027 | | Date Created: 2013-08-27 |