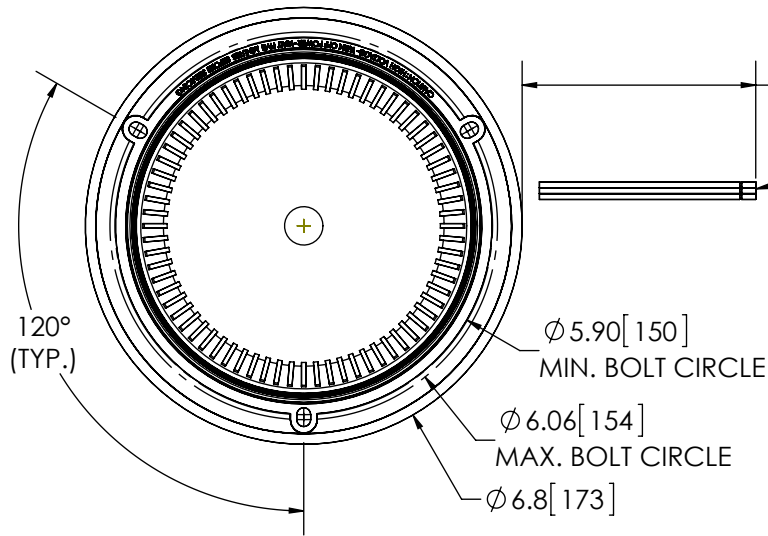


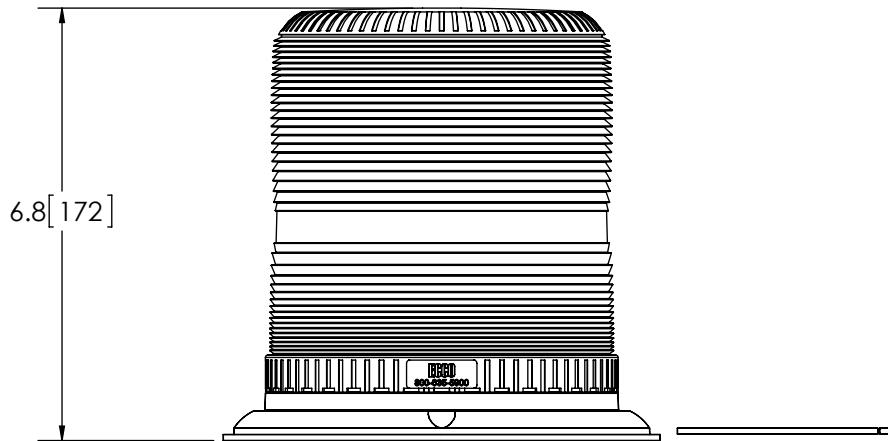
REVISION HISTORY		
REV.	DESCRIPTION	
A	INITIAL RELEASE PER P11062	
B	REVISE PER	
C	REVISE PER P12027	



3-16 AWG WIRES
 RED: POSITIVE(+)
 BLACK: NEGATIVE(-)
 YELLOW: FLASH PATTERN SELECT

SPECIFICATIONS

- CERTIFICATIONS: SAE J845 (DEC 2007) SEE CHART;
 Note: Unique components, accessories, and hardware kits are not typically Included in the Product Certification Test Protocols. Unless otherwise Specified, the Product Certifications referred to herein are predicated upon the base product model configuration.
- FLASH MODE: SINGLE FAST : 120 ± 5 FLASHES PER MINUTE
 DOUBLE : 80 ± 5 FLASHES PER MINUTE
 DOUBLE FAST : 120 ± 5 FLASHES PER MINUTE
- VOLTAGE (NOMINAL): 12 to 24 VDC
- VOLTAGE (EXTREME): 9.0 to 32.0 VDC
- CURRENT (PEAK): 3.6A (@ 12 VDC NOMINAL)
- POWER (MAXIMUM): 46.1W (@ 12 VDC NOMINAL)
- TEMPERATURE RANGE: -22°F (-30°C) TO 122°F (50°C)
- CONNECTION: 3-16 AWG. WIRES
- MOUNTING: FLANGE; PIPE MOUNT
- BASE MATERIAL: ALUMINUM
- LENS MATERIAL: POLYCARBONATE
- PRODUCT WEIGHT: 1.7 LBS (0.77 Kg)



FGS PRODUCT CHART		
FGS. NO.	COLOR	SAE J845
7970A	AMBER	CLASS 1
7970B	BLUE	CLASS 2
7970C	CLEAR	CLASS 1
7970G	GREEN	N/A
7970R	RED	N/A

- NOTES:
 1. ROHS COMPLIANT
 2. DIMENSIONS IN INCHES[MILLIMETERS (FOR REFERENCE)]

SCALE 1:3		APPROVALS	
CAD GENERATED DRAWING DO NOT MANUALLY UPDATE. MODEL REFERENCED:C		DRAWN BY BND	
TOLERANCES ARE IN INCHES, AND MILLIMETERS TOLERANCES ARE:		CHECKED MDH	
MILLIMETERS DECIMALS XX. ± 1.0mm XX.X ± 0.5mm	INCHES DECIMALS X.X ± 0.1 X.XX ± 0.04 X.XXX ± 0.02	ANGLES ± 0.5°	MECH. ENG. JLA
	FRACTIONS ± 1/64	ELEC. ENG. GCJ	
		TEST ENG. JRT	
		SALES. LAT	
THIRD ANGLE PROJECTION			



LED BEACON, 360°, 6", 12-24V

CUSTOMER PART NO. SEE CHART		PRODUCT SERIES: 7900	
SIZE: A	DWG. NO. 7970X	REV. C	
Electronically Controlled Use Latest Copy		SHEET 1 OF 1	Project: P11062 Date Created:

THIS DRAWING AND THE DESIGN IT DISCLOSES ARE THE PRIVATE PROPERTY OF ECCO AND IS ISSUED IN CONFIDENCE FOR ENGINEERING INFORMATION ONLY. THE DRAWING AND / OR DESIGN MAY NOT BE USED, COPIED, REPRODUCED, OR OTHERWISE DISCLOSED IN PART OR AS A WHOLE TO OUTSIDERS OR USED FOR ANY OTHER PURPOSE WITHOUT THE PRIOR WRITTEN CONSENT OF ECCO. THE DRAWING IS SUBJECT TO RECALL AT ANY TIME. YOUR POSSESSION OF THIS DOCUMENT CONSTITUTES ACCEPTANCE OF THESE TERMS. © 2012 ECCO