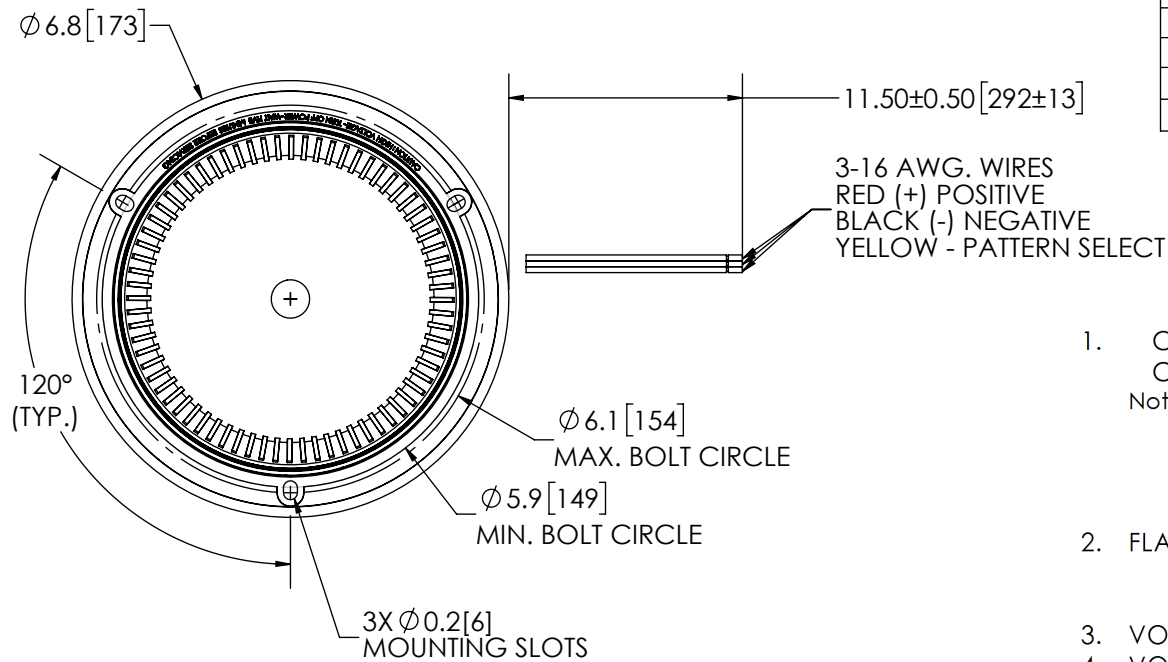


REVISION HISTORY	
REV.	DESCRIPTION
C	REVISE PER P12027
D	REVISE PER P12027
E	REVISE PER EC4254



SPECIFICATIONS

- CERTIFICATIONS: **CE**; ECE R10; SAE J845 (DEC 2007); SEE CHART
 Note: Unique components, accessories, and hardware kits are not typically included in the Product Certification Test Protocols. Unless otherwise Specified, the Product Certifications referred to herein are predicated upon the base product model configuration.
- FLASH MODE: SINGLE FAST : 120 ± 5 FLASHES PER MINUTE
 DOUBLE : 80 ± 5 FLASHES PER MINUTE
 DOUBLE FAST : 120 ± 5 FLASHES PER MINUTE
- VOLTAGE (NOMINAL): 12 to 24 VDC
- VOLTAGE (EXTREME): 9 to 32 VDC
- CURRENT (PEAK): 3.6A (@ 12 VDC NOMINAL)
- POWER (MAXIMUM): 46.1W (@ 12 VDC NOMINAL)
- TEMPERATURE RANGE: -22°F (-30°C) TO 122°F (50°C)
- CONNECTION: 3-16 AWG. WIRES
- MOUNTING: FLANGE; PIPE MOUNT
- BASE MATERIAL: ALUMINUM
- LENS MATERIAL: POLYCARBONATE
- PRODUCT WEIGHT: 1.5 LBS (0.68 Kg)

FGS PRODUCT CHART				
FGS. NO.	COLOR	CE	R10	SAE J845
7965A	AMBER	X	X	CLASS 1
7965B	BLUE	X	X	CLASS 2
7965C	CLEAR	X	X	CLASS 1
7965G	GREEN	X	X	N/A
7965R	RED	X	X	N/A

- NOTES:
 1. ROHS COMPLIANT
 2. DIMENSIONS IN INCHES[MILLIMETERS(FOR REFERENCE)]

SCALE 1:3		APPROVALS	
CAD GENERATED DRAWING DO NOT MANUALLY UPDATE. MODEL REFERENCED: B+		DRAWN BY	ABB
TOLERANCES ARE IN INCHES, AND MILLIMETERS TOLERANCES UNLESS OTHERWISE STATED ARE:		CHECKED	ABD
MILLIMETERS DECIMALS XX. ± 1.0mm XX.X ± 0.5mm	INCHES DECIMALS X.X ± 0.1 X.XX ± 0.04 X.XXX ± 0.02	MECH. ENG.	JLA
	ANGLES ± 0.5° FRACTIONS ± 1/64	ELEC. ENG.	TJT
		TEST ENG.	JRT
		SALES.	LAT
THIRD ANGLE PROJECTION			



LED BEACON, 360°, CLEAR, 12-24V

CUSTOMER PART NO. SEE CHART		PRODUCT SERIES: 7900	
SIZE: A	DWG. NO. 7965X	REV. E	
Electronically Controlled Use Latest Copy		SHEET 1 OF 1	Project: P10021 Date Created:

THIS DRAWING AND THE DESIGN IT DISCLOSES ARE THE PRIVATE PROPERTY OF ELECTRONIC CONTROLS CO. AND IS ISSUED IN CONFIDENCE FOR ENGINEERING INFORMATION ONLY. THE DRAWING AND / OR DESIGN MAY NOT BE USED, COPIED, REPRODUCED, OR OTHERWISE DISCLOSED IN PART OR AS A WHOLE TO OUTSIDERS OR USED FOR ANY OTHER PURPOSE WITHOUT THE PRIOR WRITTEN CONSENT OF ELECTRONIC CONTROLS CO. THE DRAWING IS SUBJECT TO RECALL AT ANY TIME. YOUR POSSESSION OF THIS DOCUMENT CONSTITUTES ACCEPTANCE OF THESE TERMS. © 2011 ELECTRONIC CONTROLS CO.