



BEACONS


 Permanent Mount Only
Excluding 7975 & 7980

7965 SERIES

SAE Class I LED

The 7965 Series beacon combines all the major benefits of the latest LED technology with a traditional, strobe style housing at a price point comparable to a strobe. Available in either 5" or 7" height profiles, the 7965 is suitable for a wide range of applications where a high-intensity SAE Class I light is required. The 7965 features 12-24VDC operation and 11 flash patterns that produce an attention-getting warning signal.

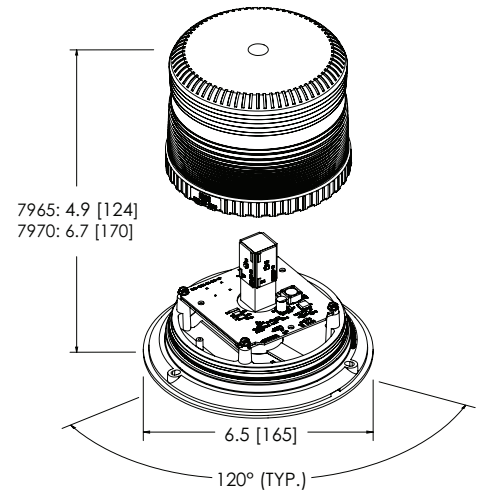
Models

PART NO.	VOLTAGE	AMPS	PROFILE	COLOR	MOUNT
7965X	12-24	3.6	5"	Choose	3 Bolt Flange/1" Pipe
7970X	12-24	3.6	7"	Choose	3 Bolt Flange/1" Pipe
7965X-VM	12-24	3.6	5"	Choose	Vacuum Magnet
7970X-VM	12-24	3.6	7"	Choose	Vacuum Magnet
7965X-HBT	12-24	3.6	5"	Choose	Semi-Permanent HBT
7970X-HBT	12-24	3.6	7"	Choose	Semi-Permanent HBT

Replace X in part number with desired color: A = amber, B = blue, C = clear, G = green, R = red

Features and Benefits

- 11 flash patterns
- Aluminum base, polycarbonate lens
- Switched cigarette plug adapter (vacuum-magnet models)
- Temperature Range: -22°F to +122°F (-30°C to +50°C)



Parts & Accessories

- Lenses: 7965 - R6050LX
7970 - R6070LX