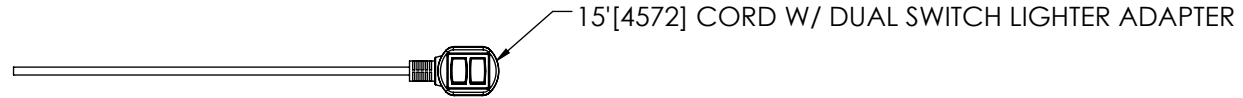
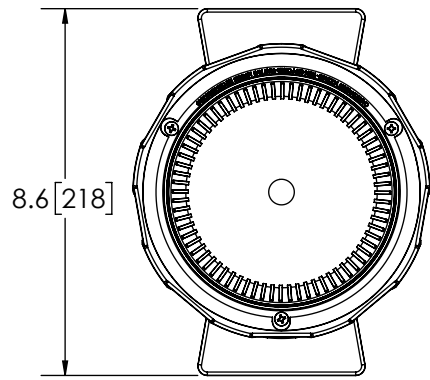
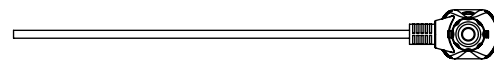
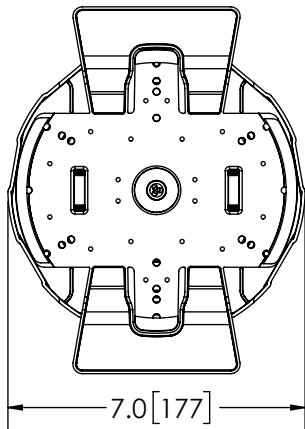
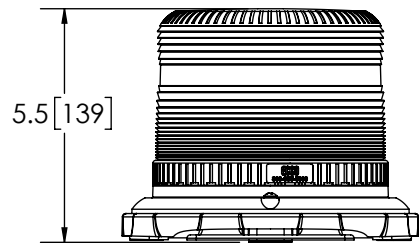


REVISION HISTORY		
REV.	DESCRIPTION	DATE
01	PRELIMINARY RELEASE PER EP0020	2017-06-22
02	REVISED PER EP0020	2017-07-07
A	INITIAL RELEASE PER EP0020	2017-07-24



SPECIFICATIONS

- CERTIFICATIONS: **CE**; ECE R10; SAE J845 (DEC 2007) CLASS 1; YELLOW (AMBER);
 Note: Unique components, accessories, and hardware kits are not typically Included in the Product Certification Test Protocols. Unless otherwise Specified, the Product Certifications referred to herein are predicated upon the base product model configuration.
- FLASH MODE: SINGLE FAST : 120 ± 5 FLASHES PER MINUTE
 DOUBLE : 80 ± 5 FLASHES PER MINUTE
 DOUBLE FAST : 120 ± 5 FLASHES PER MINUTE
- VOLTAGE (NOMINAL): 12-24 VDC
- VOLTAGE (EXTREME): 9-32 VDC
- CURRENT (PEAK): 3.6A (@ 12 VDC NOMINAL)
- POWER (MAXIMUM): 46.1W (@ 12 VDC NOMINAL)
- TEMPERATURE RANGE: -22°F (-30°C) TO 122°F (50°C)
- CONNECTION: 15' CORD W/DUAL SWITCH LIGHTER ADAPTER
- MOUNTING: ADHESIVE
- BASE MATERIAL: ALUMINUM
- LENS MATERIAL: POLYCARBONATE
- PRODUCT WEIGHT: 3.3 LBS (1.49 Kg)



FGS PRODUCT CHART	
FGS P/N	COLOR
7965A-HBT	AMBER

NOTES:
 1. DIMENSIONS IN INCHES[MILLIMETERS (FOR REFERENCE)]

SCALE 1:4.5		APPROVALS	DATE
CAD GENERATED DRAWING DO NOT MANUALLY UPDATE. MODEL REFERENCED:		DRAWN BY	2017-07-07
		CHECKED ABB	2017-07-10
TOLERANCES ARE IN INCHES, AND MILLIMETERS TOLERANCES UNLESS OTHERWISE STATED ARE:		MECH. ENG. NMT	2017-07-10
		ELEC. ENG.	
MILLIMETERS DECIMALS XX. ± 1.0mm XX.X ± 0.5mm	INCHES DECIMALS X.X ± 0.1 X.XX ± 0.04 X.XXX ± 0.02	ANGLES ± 0.5° FRACTIONS ± 1/64	TEST ENG. JRT 2017-07-11
		SALES. ARS	2017-07-18
THIRD ANGLE PROJECTION		Electronically Controlled Use Latest Copy	



LED BEACON, 360*, CLASS I, 12-24V, HBT

CUSTOMER PART NO. SEE CHART		PRODUCT SERIES:	
SIZE: A	DWG. NO. 7965X-HBT	REV. A	
SHEET 1 OF 1		Project: EP0020	Date Created: 2017-06-22

THIS DRAWING AND THE DESIGN IT DISCLOSES ARE THE PRIVATE PROPERTY OF ELECTRONIC CONTROLS CO. AND IS ISSUED IN CONFIDENCE FOR ENGINEERING INFORMATION ONLY. THE DRAWING AND / OR DESIGN MAY NOT BE USED, COPIED, REPRODUCED, OR OTHERWISE DISCLOSED IN PART OR AS A WHOLE TO OUTSIDERS OR USED FOR ANY OTHER PURPOSE WITHOUT THE PRIOR WRITTEN CONSENT OF ELECTRONIC CONTROLS CO. THE DRAWING IS SUBJECT TO RECALL AT ANY TIME. YOUR POSSESSION OF THIS DOCUMENT CONSTITUTES ACCEPTANCE OF THESE TERMS. © 2017 ELECTRONIC CONTROLS CO.