



MINIBARS | LIGHTBARS | DIRECTIONALS | WORKLAMPS | UTILITY BARS | INTERIOR LIGHTING | BACK-UP ALARMS | CAMERA SYSTEMS

BEACONS

7965 SERIES SAE Class I LED

The 7965 Series beacon combines all the major benefits of the latest LED technology with a traditional, strobe style housing at a price point comparable to a strobe. Available in either 5" or 7" height profiles, the 7965 is suitable for a wide range of applications where a high-intensity SAE Class I light is required. The 7965 features 12-24VDC operation and 11 flash patterns that produce an attention-getting warning signal. Each unit is backed by a 2-year warranty.

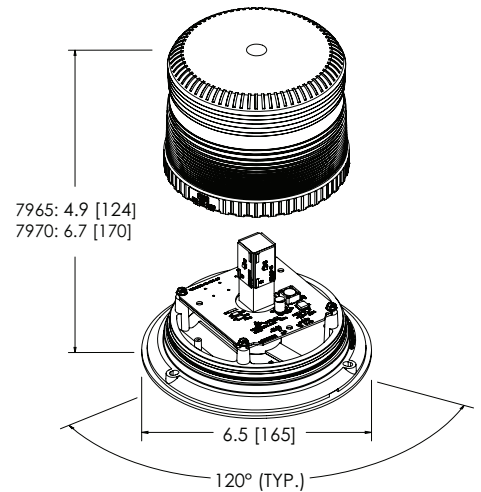
Models

| PART NO. | VOLTAGE | AMPS | PROFILE | COLOR | MOUNT |
|----------|---------|------|---------|--------|-----------------------|
| 7965X | 12-24 | 3.6 | 5" | Choose | 3 Bolt Flange/1" Pipe |
| 7965X-VM | 12-24 | 3.6 | 5" | Choose | Vacuum Magnet |
| 7970X | 12-24 | 3.6 | 7" | Choose | 3 Bolt Flange/1" Pipe |
| 7970X-VM | 12-24 | 3.6 | 7" | Choose | Vacuum Magnet |

Replace X in part number with desired color: A = amber, B = blue, C = clear, G = green, R = red

Features and Benefits

- 11 flash patterns
- Aluminum base, polycarbonate lens
- Switched cigarette plug adapter (vacuum-magnet models)
- Rechargeable battery powered model available in amber
- SAE J845 Class I (A & C only)
- SAE J845 Class II (B only)
- CE, R10
- Temperature Range: -22°F to +122°F (-30°C to +50°C)
- Warranty: 2 years



Parts & Accessories

- Lenses: 7965 - R6050LX
7970 - R6070LX

Replace X in part number with desired color:
A = amber, B = blue, C = clear, G = green, R = red