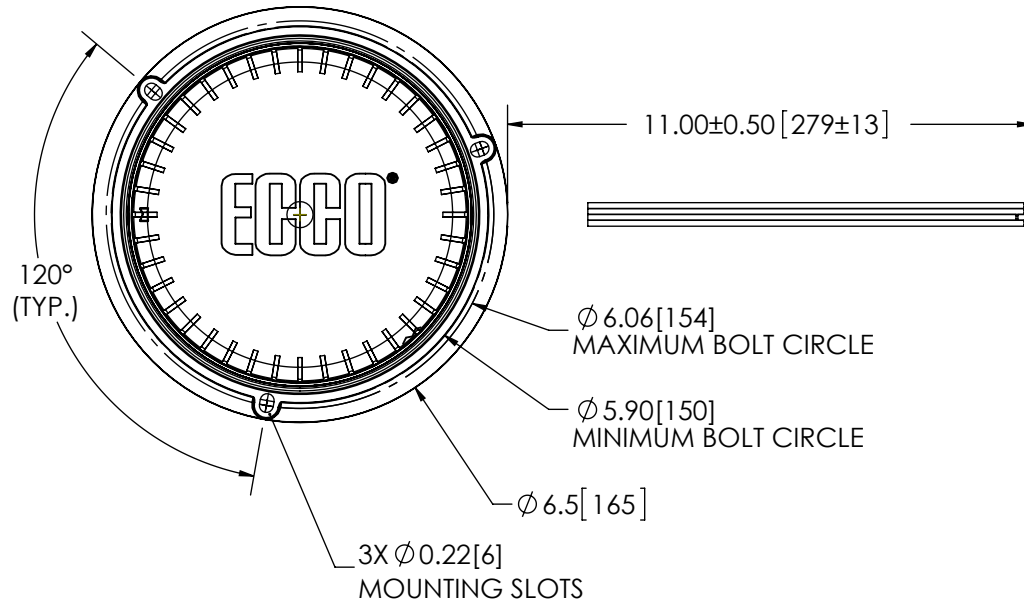


REVISION HISTORY		
REV.	DESCRIPTION	DATE
C	REVISE PER EC3374	2013-05-06
D	REVISE PER EC3374	2013-11-18
E	REVISE PER P13006	2015-08-19

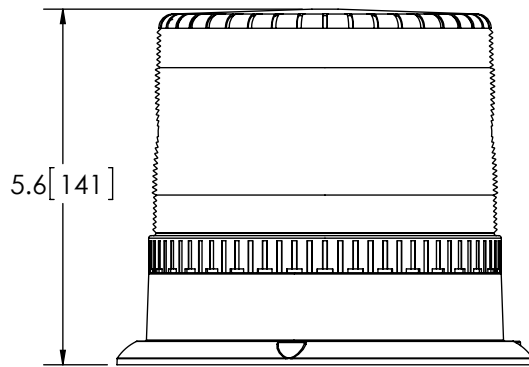


4-18 AWG WIRES
 RED: POWER
 BLACK: GROUND
 ORANGE: DAY/NIGHT-DIMMING
 YELLOW: PATTERN SELECT

SPECIFICATIONS

- CERTIFICATIONS: **CE**; ECE R10; SAE J845 (JUN2013), CLASS 1, YELLOW; IP-26/IP-56
 Note: Unique components, accessories, and hardware kits are not typically included in the Product Certification Test Protocols. Unless otherwise specified, the Product Certifications referred to herein are predicated upon the base product model configuration.
- FLASH MODE: SINGLE : 65 ± 5 FLASHES PER MINUTE
 SINGLE : 120 ± 5 FLASHES PER MINUTE
 DOUBLE : 80 ± 5 FLASHES PER MINUTE
- VOLTAGE (NOMINAL): 12 to 24 VDC
- VOLTAGE (EXTREME): 9.0 to 32.0 VDC
- CURRENT (PEAK): 2.5A (@ 12 VDC NOMINAL)
- POWER (MAXIMUM): 32.W (@ 12 VDC NOMINAL)
- TEMPERATURE RANGE: -22°F (-30°C) TO 122°F (50°C)
- CONNECTION: 4-16 AWG LEAD WIRES
- MOUNTING: FLANGE; PIPE MOUNT
- BASE MATERIAL: ALUMINUM
- LENS MATERIAL: POLYCARBONATE
- PRODUCT WEIGHT: 4.4 LBS (1.98 Kg)

FGS PRODUCT CHART		
FGS P/N	COLOR	SAE J845
7960CA	AMBER	CLASS 1
7960CC	CLEAR	CLASS 1



NOTES:
 1. DIMENSIONS IN INCHES[MILLIMETERS(FOR REFERENCE)]

SCALE 1:3		APPROVALS	DATE
CAD GENERATED DRAWING DO NOT MANUALLY UPDATE. MODEL REFERENCED:G		DRAWN BY JDT	2015-08-19
		CHECKED MDH	
TOLERANCES ARE IN INCHES, AND MILLIMETERS TOLERANCES UNLESS OTHERWISE STATED ARE:		MECH. ENG. JLA	
		ELEC. ENG. TJT	
MILLIMETERS DECIMALS XX. ± 1.0mm XX.X ± 0.5mm		TEST ENG. JRT	
		SALES. LAT	
THIRD ANGLE PROJECTION		ELECTRONICALLY CONTROLLED USE LATEST COPY	

		LED BEACON,360*,12-24VDC	
SIZE: A	DWG. NO. 7960CX	REV. E	
SHEET 1 OF 1		Project: 05051	Date Created: 2006-08-09

THIS DRAWING AND THE DESIGN IT DISCLOSES ARE THE PRIVATE PROPERTY OF ESG AND IS ISSUED IN CONFIDENCE FOR ENGINEERING INFORMATION ONLY. THE DRAWING AND / OR DESIGN MAY NOT BE USED, COPIED, REPRODUCED, OR OTHERWISE DISCLOSED IN PART OR AS A WHOLE TO OUTSIDERS OR USED FOR ANY OTHER PURPOSE WITHOUT THE PRIOR WRITTEN CONSENT OF ESG. THE DRAWING IS SUBJECT TO RECALL AT ANY TIME. YOUR POSSESSION OF THIS DOCUMENT CONSTITUTES ACCEPTANCE OF THESE TERMS. © 2006 ECCO