



BEACONS


 A & C
Only

 Permanent
& HBT
Mount
Only

7945 SERIES

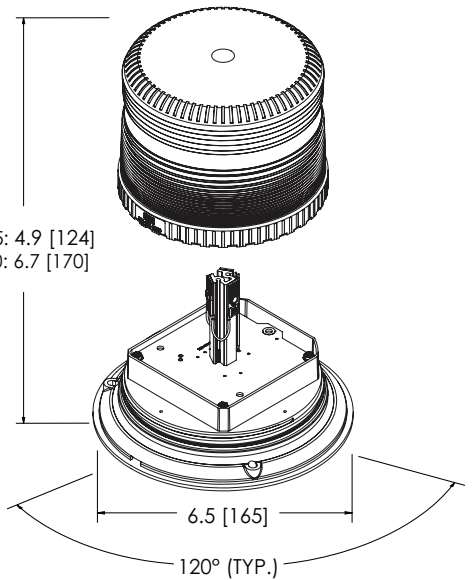
SAE Class II LED

The 7945 Series beacon combines all the major benefits of the latest LED technology with a traditional, strobe style housing at a price point comparable to a strobe. Available in either 5" or 7" height profiles the 7945 is suitable for a wide range of applications where an SAE Class II light is required. The 7945 features 12-48VDC operation and 11 flash patterns to produce an attention getting warning signal. 2-year warranty.

Models

| PART NO. | VOLTAGE | AMPS | PROFILE | COLOR | MOUNT |
|-----------|---------|------|---------|--------|-----------------------|
| 7945X | 12-48 | 1.3 | 5" | Choose | 3 Bolt Flange/1" Pipe |
| 7950X | 12-48 | 1.3 | 7" | Choose | 3 Bolt Flange/1" Pipe |
| 7945X-VM | 12-48 | 1.3 | 5" | Choose | Vacuum Magnet |
| 7950X-VM | 12-48 | 1.3 | 7" | Choose | Vacuum Magnet |
| 7945X-HBT | 12-48 | 1.3 | 5" | Choose | Semi-Permanent HBT |
| 7950X-HBT | 12-48 | 1.3 | 7" | Choose | Semi-Permanent HBT |

Replace X in part number with desired color: A = amber, B = blue, C = clear, G = green, R = red



Features and Benefits

- 11 flash patterns
- Reinforced polypropylene base, polycarbonate lens
- Switched cigarette plug adapter (vacuum-magnet models)
- Rechargeable battery powered model available in amber
- Temperature Range: -22°F to +122°F (-30°C to +50°C)

Parts & Accessories

- Lenses: 7945 - R6050LX
7950 - R6070LX