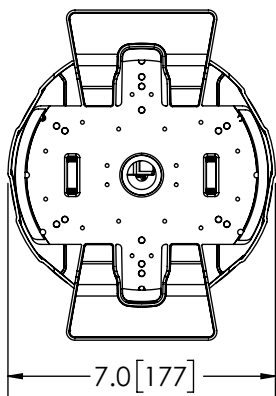
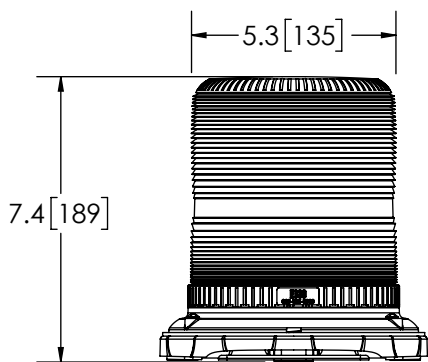
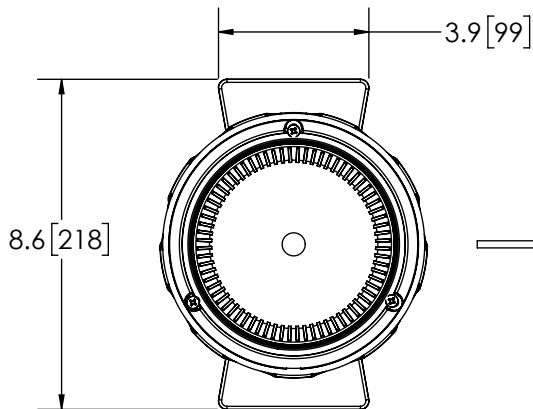
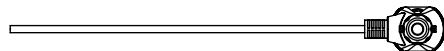
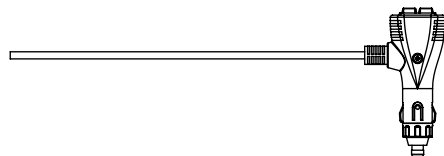
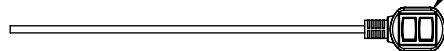


REVISION HISTORY		
REV.	DESCRIPTION	DATE
01	PRELIMINARY RELEASE PER EP0020	2017-06-07
02	REVISED PER EP0020	2017-06-12
A	INITIAL RELEASE PER EP0020	2017-06-16



15' [4572] CORD W/ DUAL SWITCH LIGHTER ADAPTER



SPECIFICATIONS

- CERTIFICATIONS: **CE**; ECE R10; SAE J845 (JUN 2013) CLASS 2; YELLOW;
 Note: Unique components, accessories, and hardware kits are not typically included in the Product Certification Test Protocols. Unless otherwise Specified, the Product Certifications referred to herein are predicated upon the base product model configuration.
- FLASH MODE: Single : 60 ± 5 FLASHES PER MINUTE
 Single : 120 ± 5 FLASHES PER MINUTE
 Double : 80 ± 5 FLASHES PER MINUTE
- VOLTAGE (NOMINAL): 12-48 VDC
- VOLTAGE (EXTREME): 9-56 VDC
- CURRENT (PEAK): 1.3A (@ 12 VDC NOMINAL)
- POWER (MAXIMUM): 16.0W (@ 12 VDC NOMINAL)
- TEMPERATURE RANGE: -22°F (-30°C) TO 122°F (50°C)
- CONNECTION: 2 COND CABLE W/LIGHTER ADAPTER PLUG
- MOUNTING: ADHESIVE
- BASE MATERIAL: REINFORCED POLYPROPYLENE
- LENS MATERIAL: POLYCARBONATE
- PRODUCT WEIGHT: 2.7 LBS (1.22 Kg)

COLOR CHART	
FGS P/N	COLOR
7950A-HBT	AMBER

- NOTES:
 1. ROHS COMPLIANT
 2. DIMENSIONS IN INCHES [MILLIMETERS (FOR REFERENCE)]

NON DISCLOSURE AGREEMENT
 THIS DRAWING AND THE DESIGN IT DISCLOSES ARE THE PRIVATE PROPERTY OF ELECTRONIC CONTROLS CO. AND IS ISSUED IN CONFIDENCE FOR ENGINEERING INFORMATION ONLY. THE DRAWING AND / OR DESIGN MAY NOT BE USED, COPIED, REPRODUCED, OR OTHERWISE DISCLOSED IN PART OR AS A WHOLE TO OUTSIDERS OR USED FOR ANY OTHER PURPOSE WITHOUT THE PRIOR WRITTEN CONSENT OF ELECTRONIC CONTROLS CO. THE DRAWING IS SUBJECT TO RECALL AT ANY TIME. YOUR POSSESSION OF THIS DOCUMENT CONSTITUTES ACCEPTANCE OF THESE TERMS. © 2017 ELECTRONIC CONTROLS CO.

SCALE 1:5		APPROVALS	DATE	
CAD GENERATED DRAWING DO NOT MANUALLY UPDATE. MODEL REFERENCED: 01		DRAWN BY	2017-06-12	
TOLERANCES ARE IN INCHES, AND MILLIMETERS TOLERANCES UNLESS OTHERWISE STATED ARE:		CHECKED ABD	2017-06-12	
MILLIMETERS DECIMALS XX. ± 1.0mm XX.X ± 0.5mm	INCHES DECIMALS X.X ± 0.1 X.XX ± 0.04 X.XXX ± 0.02	MECH. ENG. NMT	2017-06-13	
		ELEC. ENG.		
		TEST ENG. JRT	2017-06-12	
		SALES. ARS	2017-06-12	
LED BEACON, 360, CLASS II, 12-24VDC, 6", HBT				
CUSTOMER PART NO. SEE CHART			PRODUCT SERIES:	
SIZE: A	DWG. NO. 7950X-HBT	REV. A		
Electronically Controlled Use Latest Copy		SHEET 1 OF 1	Project: EP0020	Date Created: 2017-06-07

