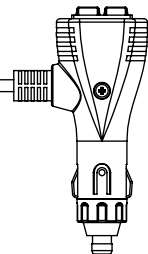
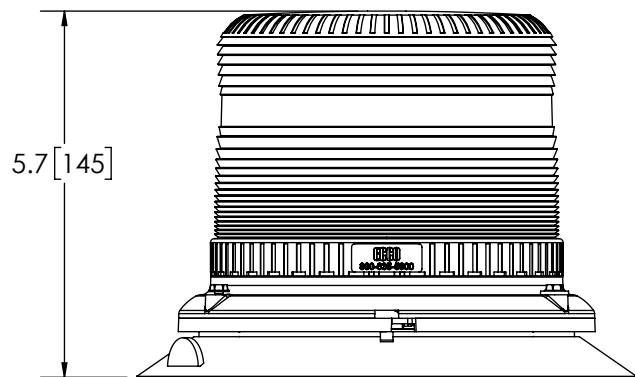


REVISION HISTORY		
REV.	DESCRIPTION	DATE
A	INITIAL RELEASE PER P11007	2012-04-27
B	REVISE PER EC4573	2017-07-07
C	REVISED PER EP0038	2019-11-25

15'[4572] CORD W/ SINGLE SWITCH LIGHTER ADAPTER

SPECIFICATIONS

- CERTIFICATIONS: **CE**; ECE R10; SAE (SEE CHART)
 Note: Unique components, accessories, and hardware kits are not typically Included in the Product Certification Test Protocols. Unless otherwise Specified, the Product Certifications referred to herein are predicated upon the base product model configuration.
- FLASH MODE: Single : 60 ± 5 FLASHES PER MINUTE
 Single : 120 ± 5 FLASHES PER MINUTE
 Double : 80 ± 5 FLASHES PER MINUTE
- VOLTAGE (NOMINAL): 12-24 VDC
- VOLTAGE (EXTREME): 9-32 VDC
- CURRENT (PEAK): 1.3A (@ 12 VDC NOMINAL)
- POWER (MAXIMUM): 16.0W (@ 12 VDC NOMINAL)
- TEMPERATURE RANGE: -22°F (-30°C) TO 122°F (50°C)
- CONNECTION: 2 COND CABLE W/LIGHTER ADAPTER PLUG
- MOUNTING: VACUUM/MAGNET MOUNT
- BASE MATERIAL: REINFORCED POLYPROPYLENE
- LENS MATERIAL: POLYCARBONATE
- PRODUCT WEIGHT: 2.3 LBS (1.04 Kg)



FGS. PRODUCT CHART		
FGS. NO.	COLOR	J845 (JUN 2013)
7945A-VM	AMBER	CLASS 2
7945B-VM	BLUE	CLASS 3
7945C-VM	CLEAR	CLASS 2
7945G-VM	GREEN	-
7945R-VM	RED	-

- NOTES:
 1. ROHS COMPLIANT
 2. DIMENSIONS IN INCHES [MILLIMETERS (FOR REFERENCE)]

SCALE 1:3		APPROVALS	DATE
CAD GENERATED DRAWING DO NOT MANUALLY UPDATE. MODEL REFERENCED: B		DRAWN BY ABD	2019-10-23
TOLERANCES ARE IN INCHES, AND MILLIMETERS TOLERANCES UNLESS OTHERWISE STATED ARE:		CHECKED MDH	2019-10-24
MILLIMETERS DECIMALS XX. ± 1.0mm XX.X ± 0.5mm	INCHES DECIMALS X.X ± 0.1 X.XX ± 0.04 X.XXX ± 0.02	MECH. ENG.	
	ANGLES ± 0.5° FRACTIONS ± 1/64	ELEC. ENG.	
		TEST ENG.	
		SALES. ARS	2019-10-24
THIRD ANGLE PROJECTION		ELECTRONICALLY CONTROLLED USE LATEST COPY	



LED BEACON, 360°, 12-24VDC, VAC MNT

CUSTOMER PART NO. SEE CHART		PRODUCT SERIES: 7900	
SIZE: A	DWG. NO. 7945X-VM	REV. C	
SHEET 1 OF 1		Project: P11007	Date Created: 2012-04-16

THIS DRAWING AND THE DESIGN IT DISCLOSES ARE THE PRIVATE PROPERTY OF ELECTRONIC CONTROLS CO. AND IS ISSUED IN CONFIDENCE FOR ENGINEERING INFORMATION ONLY. THE DRAWING AND / OR DESIGN MAY NOT BE USED, COPIED, REPRODUCED, OR OTHERWISE DISCLOSED IN PART OR AS A WHOLE TO OUTSIDERS OR USED FOR ANY OTHER PURPOSE WITHOUT THE PRIOR WRITTEN CONSENT OF ELECTRONIC CONTROLS CO. THE DRAWING IS SUBJECT TO RECALL AT ANY TIME. YOUR POSSESSION OF THIS DOCUMENT CONSTITUTES ACCEPTANCE OF THESE TERMS. © 2012 ELECTRONIC CONTROLS CO.