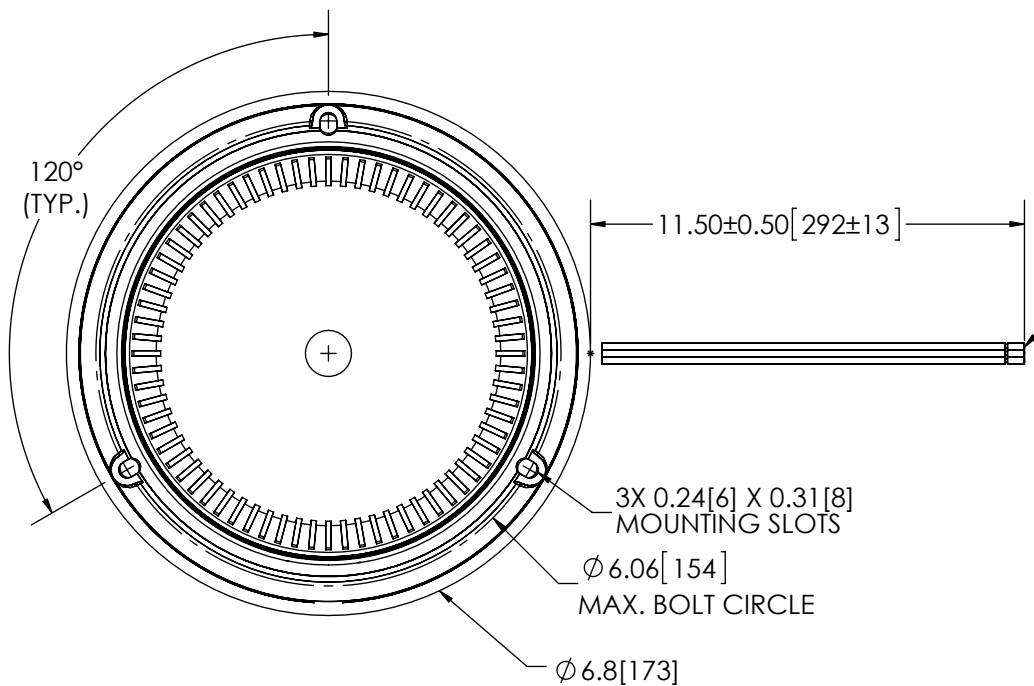


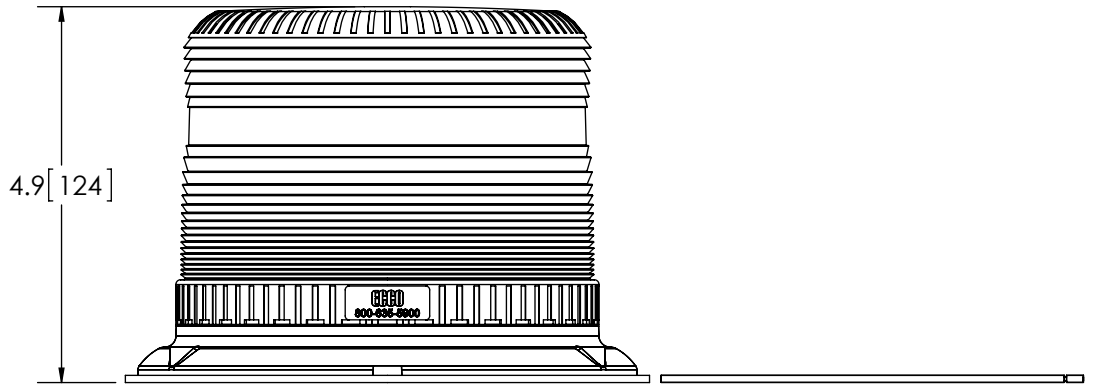
REVISION HISTORY		
REV.	DESCRIPTION	
A	INITIAL RELEASE PER P11007	
B	REVISE PER	
C	REVISE PER P11007	



3-16 AWG WIRES
 RED - POSITIVE(+)
 BLACK - NEGATIVE(-)
 YELLOW - PATTERN SELECT

SPECIFICATIONS

- CERTIFICATIONS: **CE**; ECE R10; J845 (JUN 2013) CLASS 2; YELLOW (SEE CHART);
 Note: Unique components, accessories, and hardware kits are not typically included in the Product Certification Test Protocols. Unless otherwise Specified, the Product Certifications referred to herein are predicated upon the base product model configuration.
- FLASH MODE: SINGLE : 60 ± 5 FLASHES PER MINUTE
 SINGLE : 120 ± 5 FLASHES PER MINUTE
 DOUBLE : 80 ± 5 FLASHES PER MINUTE
- VOLTAGE (NOMINAL): 12 to 48 VDC
- VOLTAGE (EXTREME): 9.0 to 56.0 VDC
- CURRENT (PEAK): 1.3A (@ 12 VDC NOMINAL)
- POWER (MAXIMUM): 16.0W (@ 12 VDC NOMINAL)
- TEMPERATURE RANGE: -22°F (-30°C) TO 122°F (50°C)
- CONNECTION: 3-16 AWG. WIRES
- MOUNTING: FLANGE; PIPE MOUNT
- BASE MATERIAL: REINFORCED POLYPROPYLENEE
- LENS MATERIAL: POLYCARBONATE
- PRODUCT WEIGHT: 0.9 LBS (0.41 Kg)



FGS PRODUCT CHART		
FGS. NO.	COLOR	SAE J845
7945A	AMBER	CLASS 2
7945B	BLUE	CLASS 3
7945C	CLEAR	CLASS 2
7945G	GREEN	N/A
7945R	RED	N/A

NOTES:
 1. DIMENSIONS IN INCHES [MILLIMETERS (FOR REFERENCE)]

SCALE 1:2.5		APPROVALS	
CAD GENERATED DRAWING DO NOT MANUALLY UPDATE. MODEL REFERENCED:F+		DRAWN BY ABD	
TOLERANCES ARE IN INCHES, AND MILLIMETERS TOLERANCES UNLESS OTHERWISE STATED ARE:		CHECKED ABB	
MILLIMETERS DECIMALS XX. ± 1.0mm XX.X ± 0.5mm	INCHES DECIMALS X.X ± 0.1 X.XX ± 0.04 X.XXX ± 0.02	MECH. ENG. JLA	
	ANGLES ± 0.5° FRACTIONS ± 1/64	ELEC. ENG.	
		TEST ENG.	
		SALES.	
THIRD ANGLE PROJECTION		Electronically Controlled Use Latest Copy	



LED BEACON, 360*, CLASS II, 12-48VDC

CUSTOMER PART NO. SEE CHART		PRODUCT SERIES: 7900	
SIZE: A	DWG. NO. 7945X	REV. C	
SHEET 1 OF 1	Project: P11007	Date Created:	

THIS DRAWING AND THE DESIGN IT DISCLOSES ARE THE PRIVATE PROPERTY OF ESG AND IS ISSUED IN CONFIDENCE FOR ENGINEERING INFORMATION ONLY. THE DRAWING AND / OR DESIGN MAY NOT BE USED, COPIED, REPRODUCED, OR OTHERWISE DISCLOSED IN PART OR AS A WHOLE TO OUTSIDERS OR USED FOR ANY OTHER PURPOSE WITHOUT THE PRIOR WRITTEN CONSENT OF ESG. THE DRAWING IS SUBJECT TO RECALL AT ANY TIME. YOUR POSSESSION OF THIS DOCUMENT CONSTITUTES ACCEPTANCE OF THESE TERMS. © 2012 ECCO