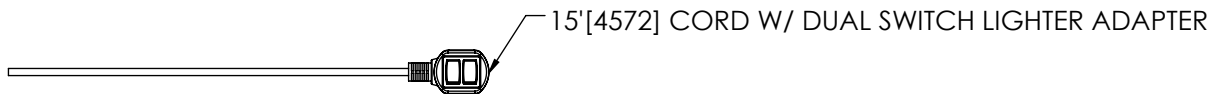
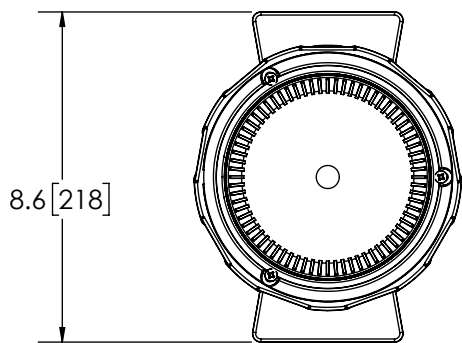
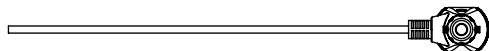
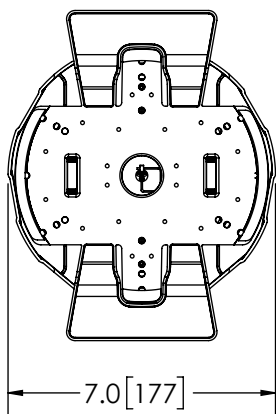
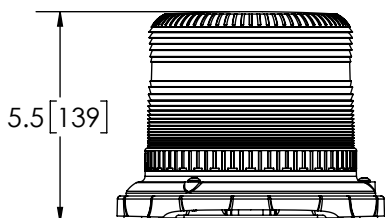


REVISION HISTORY		
REV.	DESCRIPTION	DATE
01	PRELIMINARY RELEASE PER EP0020	2017-07-26
02	REVISED PER EP0020	2017-08-01
A	INITIAL RELEASE PER EP0020	2017-08-28



## SPECIFICATIONS

- CERTIFICATIONS: **CE**; ECE R10; SAE J845 (JUN 2013) CLASS 2; YELLOW;  
 Note: Unique components, accessories, and hardware kits are not typically included in the Product Certification Test Protocols. Unless otherwise Specified, the Product Certifications referred to herein are predicated upon the base product model configuration.
- FLASH MODE: Single :  $60 \pm 5$  FLASHES PER MINUTE  
 Single :  $120 \pm 5$  FLASHES PER MINUTE  
 Double :  $80 \pm 5$  FLASHES PER MINUTE
- VOLTAGE (NOMINAL): 12-48 VDC
- VOLTAGE (EXTREME): 9-56 VDC
- CURRENT (PEAK): 1.3A (@ 12 VDC NOMINAL)
- POWER (MAXIMUM): 16.0W (@ 12 VDC NOMINAL)
- TEMPERATURE RANGE:  $-22^{\circ}\text{F}$  ( $-30^{\circ}\text{C}$ ) TO  $122^{\circ}\text{F}$  ( $50^{\circ}\text{C}$ )
- CONNECTION: 2 COND CABLE W/LIGHTER ADAPTER PLUG
- MOUNTING: ADHESIVE
- BASE MATERIAL: REINFORCED POLYPROPYLENE
- LENS MATERIAL: POLYCARBONATE
- PRODUCT WEIGHT: 2.7 LBS (1.22 Kg)



COLOR CHART	
FGS P/N	COLOR
7945A-HBT	AMBER

- NOTES:
- ROHS COMPLIANT
  - DIMENSIONS IN INCHES[MILLIMETERS (FOR REFERENCE)]

SCALE 1:5		APPROVALS	DATE
CAD GENERATED DRAWING DO NOT MANUALLY UPDATE. MODEL REFERENCED: 01		DRAWN BY	2017-08-01
		CHECKED ABB	2017-08-02
TOLERANCES ARE IN INCHES, AND MILLIMETERS TOLERANCES UNLESS OTHERWISE STATED ARE:		MECH. ENG.	NMT 2017-08-01
		ELEC. ENG.	
MILLIMETERS DECIMALS		TEST ENG.	JRT 2017-08-01
INCHES DECIMALS		SALES.	ARS 2017-08-01
ANGLES			
FRACTIONS			
THIRD ANGLE PROJECTION			



**LED BEACON, 360\*, CLASS II, 12-24VDC, HBT**

CUSTOMER PART NO. <b>SEE CHART</b>		PRODUCT SERIES:	
SIZE: A	DWG. NO. 7945X-HBT	REV. A	
SHEET 1 OF 1		Project: EP0020	Date Created: 2017-07-26

THIS DRAWING AND THE DESIGN IT DISCLOSES ARE THE PRIVATE PROPERTY OF ELECTRONIC CONTROLS CO. AND IS ISSUED IN CONFIDENCE FOR ENGINEERING INFORMATION ONLY. THE DRAWING AND / OR DESIGN MAY NOT BE USED, COPIED, REPRODUCED, OR OTHERWISE DISCLOSED IN PART OR AS A WHOLE TO OUTSIDERS OR USED FOR ANY OTHER PURPOSE WITHOUT THE PRIOR WRITTEN CONSENT OF ELECTRONIC CONTROLS CO. THE DRAWING IS SUBJECT TO RECALL AT ANY TIME. YOUR POSSESSION OF THIS DOCUMENT CONSTITUTES ACCEPTANCE OF THESE TERMS. © 2017 ELECTRONIC CONTROLS CO.