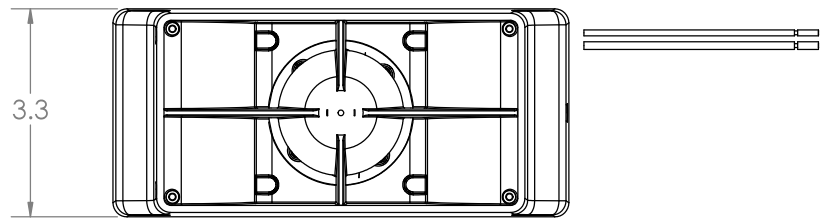
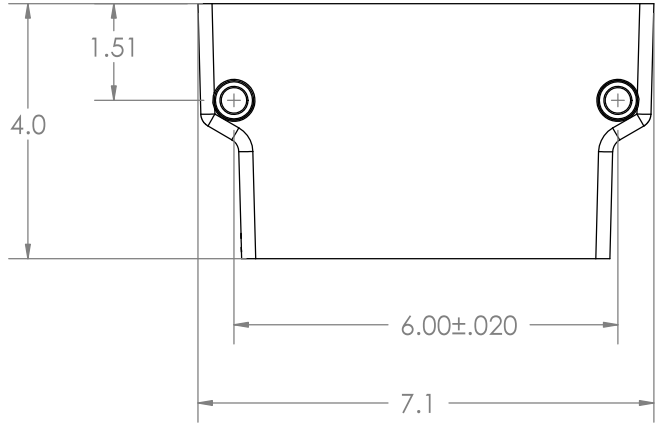


8 7 6 5 4 3 2 1

REVISION HISTORY		
REV.	DESCRIPTION	DATE
01	PRELIMINARY RELEASE PER P3# 05089	2005-12-29
A1	INITIAL RELEASE PER P3# 05089	2006-01-10
B	RELEASED FROM PROJECT PER P3# 05089	2006-01-30

WIRE LENGTH: 15.75 ± 0.5
FROM EDGE OF HOUSING

2-16 AWG WIRES
RED:(+) (POSITIVE)
BLK:(-) (NEGATIVE)



SPECIFICATIONS

- CERTIFICATIONS: **CE**; SAE J994 (OCT 2003) TYPES A B C
Note: Unique components, accessories, and hardware kits are not typically Included in the Product Certification Test Protocols. Unless otherwise Specified, the Product Certifications referred to herein are predicated upon the base product model configuration.
- SOUND PRESSURE LEVEL: 112 ± 4 dB (A) @ 1.2m (4ft)
107 ± 4 dB (A) @ 1.2m (4ft)
97 ± 4 dB (A) @ 1.2m (4ft)
- VOLTAGE (NOMINAL): 12 to 24 VDC
- VOLTAGE (EXTREME): 9.0 to 32.0 VDC
- CURRENT (NOMINAL): 0.5 A
- POWER (NOMINAL): 5 W
- TEMPERATURE RANGE: -40°F (-40°C) TO 185°F (85°C)
- FREQUENCY: 1040 to 1560 Hz
- CONNECTION: 2 - 16 AWG WIRES
- RECOMMENDED MOUNTING: 3/8 - 16 UNC, GRADE 5 OR BETTER; 3/8" TYPE A, SERIES N OR W WASHER
- HOUSING MATERIAL: GLASS FILLED NYLON
- PRODUCT WEIGHT: 2.9 LBS

NOTES:
1. DIMENSIONS IN INCHES

APPROVALS		DATE
DRAWN BY	JDT	
CHECKED		
ELEC. ENG.		
MECH. ENG.		
TEST ENG.		
SALES		

ECCO

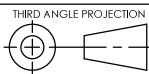
ALARM, BACK-UP, 97, 107, 112DBA, 12-24VDC, DEU

Project: 05089 Date Created: 2005-12-29

SIZE DWG. NO. **777** REV. **B**

SCALE 1:3 PREPARED PER ASME 14.100M-1998 / ASME Y14.1-1995 SHEET 1 OF 1

CAD GENERATED DRAWING
DO NOT MANUALLY UPDATE.
MODEL REFERENCED: A1



NON DISCLOSURE AGREEMENT
THIS DRAWING AND THE DESIGN IT DISCLOSES ARE THE PRIVATE PROPERTY OF ECCO AND IS ISSUED IN CONFIDENCE FOR ENGINEERING INFORMATION ONLY. THE DRAWING AND / OR DESIGN MAY NOT BE USED, COPIED, REPRODUCED, OR OTHERWISE DISCLOSED IN PART OR AS A WHOLE TO OUTSIDERS OR USED FOR ANY OTHER PURPOSE WITHOUT THE PRIOR WRITTEN CONSENT OF ECCO. THE DRAWING IS SUBJECT TO RECALL AT ANY TIME. YOUR POSSESSION OF THIS DOCUMENT CONSTITUTES ACCEPTANCE OF THESE TERMS. © 2005-ECCO

8 7 6 5 4 3 2 1