




BEACONS | MINIBARS | LIGHTBARS | DIRECTIONALS | WORKLAMPS | UTILITY BARS | INTERIOR LIGHTING | CAMERA SYSTEMS

BACK-UP ALARMS

700 SERIES

ECCO's 700 Series alarms meet OEM design specifications for rugged applications. A reinforced filled nylon housing, epoxy encapsulated electronics and driver based design make this style alarm a popular OEM installation. ECCO's range of Smart Alarms® measure ambient noise and adjust their sound level, creating a volume that is safe without being annoying or contributing to noise pollution. Smart Alarms eliminate the need for constant manual adjustment and help prevent intentional alarm disconnection.

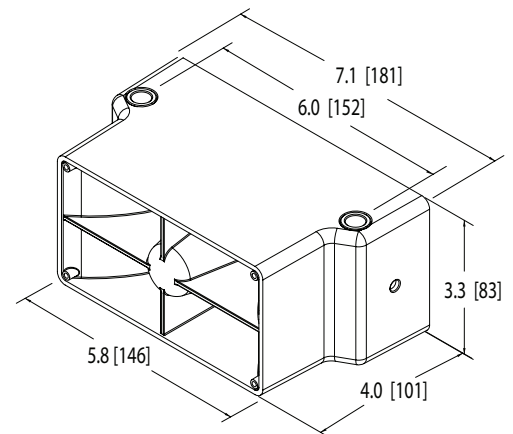
Models

PART NO.	VOLTAGE	dB(A)	AMPS	APPROVALS
SA920 	12-24	97-112	0.6	CE, R10, IP66
777	12-24	97/107/112	0.8	SAE Type A, B, C, CE, R10, IP66

777 Switchable: Volume selected via waterproof switch. Factory set to 112dB(A).

Features and Benefits

- Model SA920 supplied with grille plate
- Meets OEM design for rugged construction applications
- Sealed in epoxy for protection against dust, moisture, and vibration
- Temperature Range: -40°F to +185°F (-40°C to +85°C)
- 2 Year Warranty



Alarm Specifications

- Connection: 16 AWG blunt cut wires
- Reinforced nylon housing
- Recommended mounting bolt: 3/8" UNC Grade 5
- Recommended washer: 3/8" Type A, Series N or W
- Recommended mounting torque: 276 in. lbs.