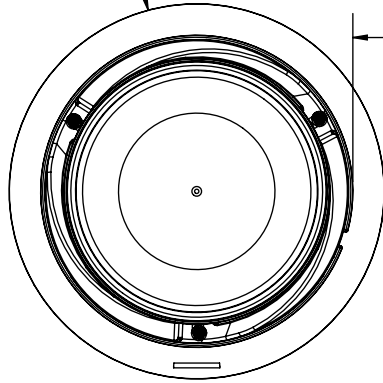
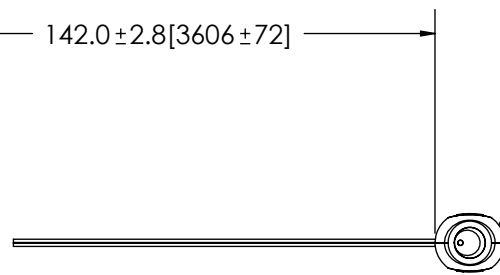


Ø 7.8±0.2 [198±5]

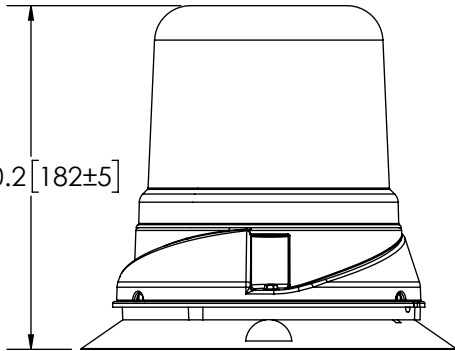


142.0±2.8 [3606±72]



15' [4572] CORD W/ SINGLE SWITCH LIGHTER ADAPTER

7.2±0.2 [182±5]



REVISION HISTORY		
REV.	DESCRIPTION	DATE
B	REVISED CHART PER P13027	2015-09-04
C	REVISE PER P13027	2015-10-23
D	REVISE PER P13027	2017-09-08

### SPECIFICATIONS

- CERTIFICATIONS: **CE**; ECE R10; ; Reg 65 CertTA1-E9-00.1873; IP6K6D/ | P6K7D; SEE CHART  
 Note: Unique components, accessories, and hardware kits are not typically included in the Product Certification Test Protocols. Unless otherwise Specified, the Product Certifications referred to herein are predicated upon the base product model configuration.
- FLASH MODE: SINGLE : 125 ± 5 FLASHES PER MINUTE
- VOLTAGE (NOMINAL): 12-24 VDC
- VOLTAGE (EXTREME): 9-32 VDC
- CURRENT (PEAK): 2.08A (@ 12 VDC NOMINAL)
- POWER (MAXIMUM): 26.6W (@ 12 VDC NOMINAL)
- TEMPERATURE RANGE: -22°F (-30°C) TO 122°F (50°C)
- CONNECTION: 2 CONDUCTOR CABLE W/LIGHTER ADAPTER
- MOUNTING: VACUUM MAGNET
- BASE MATERIAL: ALUMINUM
- LENS MATERIAL: POLYCARBONATE
- PRODUCT WEIGHT: 3.9 LBS (1.76 Kg)

### FGS PRODUCT CHART

FGS. NO.	COLOR	CA T13	SAE J845	ECE R65
7660A-VM	AMBER	CLASS B	CLASS 1	CLASS 1
7660B-VM	BLUE	CLASS B	CLASS 2	-
7660G-VM	GREEN	-	-	-
7660R-VM	RED	CLASS B	CLASS 1	CLASS 1

- NOTES:
- ROHS COMPLIANT
  - DIMENSIONS IN INCHES [MILLIMETERS (FOR REFERENCE)]

SCALE 1:4		APPROVALS	DATE												
CAD GENERATED DRAWING DO NOT MANUALLY UPDATE. MODEL REFERENCED: C		DRAWN BY	2017-08-10												
		CHECKED ABB	2017-08-11												
TOLERANCES ARE IN INCHES, AND MILLIMETERS TOLERANCES UNLESS OTHERWISE STATED ARE:		MECH. ENG. JLA	2017-08-10												
		ELEC. ENG. JES	2017-08-10												
TEST ENG. JRT	2017-08-10														
SALES. ARS	2017-08-10														
<table border="1"> <thead> <tr> <th>MILLIMETERS DECIMALS</th> <th>INCHES DECIMALS</th> <th>ANGLES</th> </tr> </thead> <tbody> <tr> <td>XX. ± 1.0mm</td> <td>X.X ± 0.1</td> <td>± 0.5°</td> </tr> <tr> <td>XX.X ± 0.5mm</td> <td>X.XX ± 0.04</td> <td>FRACTIONS</td> </tr> <tr> <td></td> <td>X.XXX ± 0.02</td> <td>± 1/64</td> </tr> </tbody> </table>		MILLIMETERS DECIMALS	INCHES DECIMALS	ANGLES	XX. ± 1.0mm	X.X ± 0.1	± 0.5°	XX.X ± 0.5mm	X.XX ± 0.04	FRACTIONS		X.XXX ± 0.02	± 1/64	<b>LED HYBRID BEACON, 12-24VDC, VAC</b>	
MILLIMETERS DECIMALS	INCHES DECIMALS	ANGLES													
XX. ± 1.0mm	X.X ± 0.1	± 0.5°													
XX.X ± 0.5mm	X.XX ± 0.04	FRACTIONS													
	X.XXX ± 0.02	± 1/64													
THIRD ANGLE PROJECTION 		CUSTOMER PART NO. <b>SEE CHART</b>													
		PRODUCT SERIES: <b>7660</b>													
		SIZE: A	DWG. NO. 7660X-VM												
		SHEET 1 OF 1	Project: 08022												
		Electronically Controlled Use Latest Copy	Date Created: 2008-10-14												



### LED HYBRID BEACON, 12-24VDC, VAC

CUSTOMER PART NO. <b>SEE CHART</b>		PRODUCT SERIES: <b>7660</b>	
SIZE: A	DWG. NO. 7660X-VM	REV. D	
SHEET 1 OF 1		Project: 08022	Date Created: 2008-10-14

NON DISCLOSURE AGREEMENT  
 THIS DRAWING AND THE DESIGN IT DISCLOSES ARE THE PRIVATE PROPERTY OF ELECTRONIC CONTROLS CO., AND IS ISSUED IN CONFIDENCE FOR ENGINEERING INFORMATION ONLY. THE DRAWING AND / OR DESIGN MAY NOT BE USED, COPIED, REPRODUCED, OR OTHERWISE DISCLOSED IN PART OR AS A WHOLE TO OUTSIDERS OR USED FOR ANY OTHER PURPOSE WITHOUT THE PRIOR WRITTEN CONSENT OF ELECTRONIC CONTROLS CO. THE DRAWING IS SUBJECT TO RECALL AT ANY TIME. YOUR POSSESSION OF THIS DOCUMENT CONSTITUTES ACCEPTANCE OF THESE TERMS. © 2008 ELECTRONIC CONTROLS CO.