



MINIBARS | LIGHTBARS | DIRECTIONALS | WORKLAMPS | UTILITY BARS | INTERIOR LIGHTING | BACK-UP ALARMS | CAMERA SYSTEMS

BEACONS

7660 SERIES SAE Class I LED Hybrid

The 7660 Series RotoLED™ beacon combines all the major benefits of the latest LEDs with the unmistakable warning signal of a rotator, all without compromising reliability. LED hybrid technology uses a brushless magnetic drive system to spin the reflector disk, reducing noise and eliminating the typical motor/gear drawbacks associated with conventional rotators. The 7660 also features eight high-intensity LEDs and a TIR optic to provide SAE Class I light output. Additional benefits include low amp draw, extended service-free life, and a 5-year warranty.

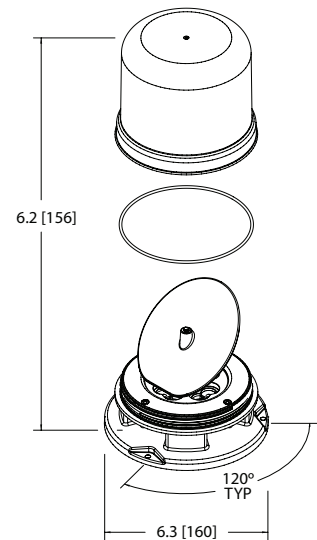
Models

PART NO.	VOLTAGE	AMPS	FPM	LENS/ILLUMINATION	MOUNT
7660A	12-24	2.1	125	Specify Color	3 Bolt Flange/1" Pipe
7660X	12-24	2.3	125	Specify Color	3 Bolt Flange/1" Pipe
7660CX	12-24	2.3	125	Clear/Specify Color	3 Bolt Flange/1" Pipe
7660A-VM	12-24	2.1	125	Specify Color	Vacuum Magnet
7660X-VM	12-24	2.3	125	Specify Color	Vacuum Magnet
7660CX-VM	12-24	2.3	125	Clear/Specify Color	Vacuum Magnet

Replace X in part number with desired color: A = amber, B = blue, C = clear, G = green, R = red (blue & green lenses not available)

Features and Benefits

- LED hybrid technology provides a high intensity rotating warning signal with no gears, brushes or bulbs to wear out
- Eight high-intensity LEDs combined with a TIR optic
- Polycarbonate lens features a UV hard coating to greatly reduce cracking, hazing, abrasion and fading
- SAE J845 Class I (A, CA, CB, CC & R only); SAE J845 Class II (B & CR only)
- CE, R10, IP67
- Temperature Range: -22°F to +122°F (-30°C to +50°C)
- Warranty: 5 years



45° angled reflector driven by a quiet brushless magnetic drive system provides an exceptional warning beam without compromising reliability

Eight high intensity, 3-watt LEDs combined with a unique TIR optic project light onto the reflector to provide SAE Class I light output

Unique base design efficiently dissipates heat from the LEDs

