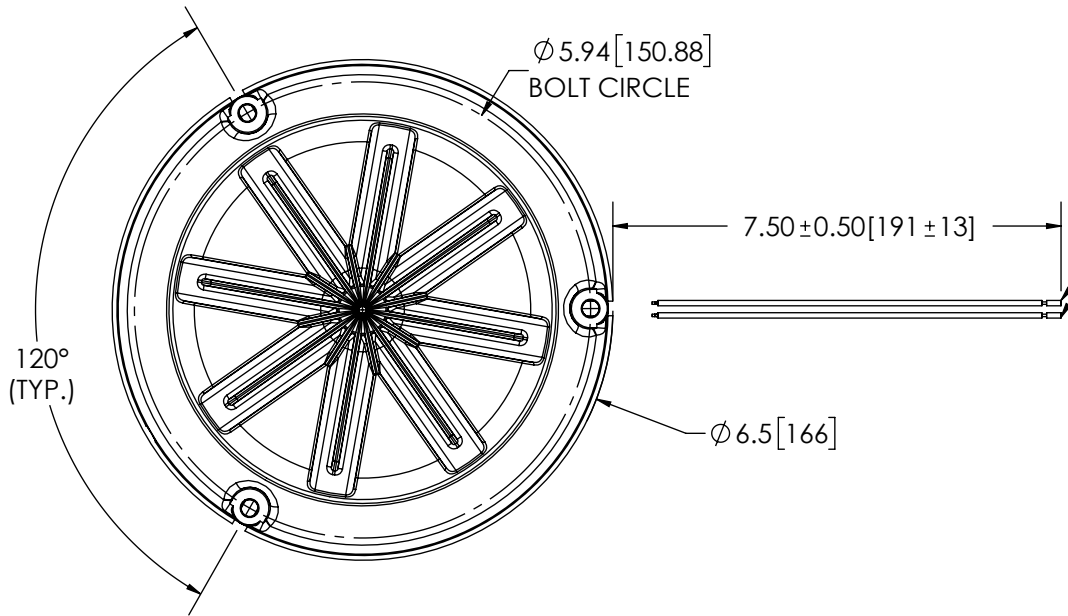


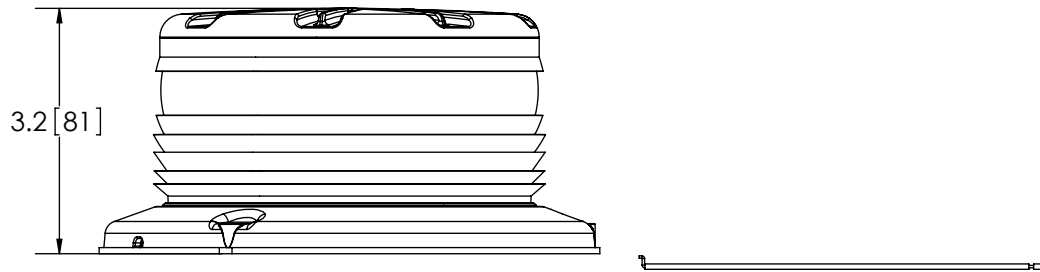
REVISION HISTORY		
REV.	DESCRIPTION	DATE
D	REVISE PER P11038	2014-11-24
E	REVISE PER P11038	2014-12-23
F	REVISED PER P11038	2021-01-19



2-20 AWG. WIRES
 RED - POSITIVE(+)
 BLACK - NEGATIVE(-)

SPECIFICATIONS

- CERTIFICATIONS: **CE**; ECE R10; SAE (SEE CHART); IP66/IP56B
 Note: Unique components, accessories, and hardware kits are not typically included in the Product Certification Test Protocols. Unless otherwise Specified, the Product Certifications referred to herein are predicated upon the base product model configuration.
- FLASH MODE: PULSE8 : 80 ± 5 FLASHES PER MINUTE
- VOLTAGE (NOMINAL): 12 to 36 VDC
- VOLTAGE (EXTREME): 9 to 48 VDC
- CURRENT (PEAK): 3.62A (@ 12 VDC NOMINAL)
- POWER (MAXIMUM): SEE CHART(@ 12 VDC NOMINAL)
- TEMPERATURE RANGE: -22°F (-30°C) TO 122°F (50°C)
- CONNECTION: 2-20 AWG WIRES
- MOUNTING: FLANGE MOUNT, PIPE MOUNT
- BASE MATERIAL: GLASS FILL POLYPROPYLENE
- LENS MATERIAL: POLYCARBONATE
- PRODUCT WEIGHT: 1.2 LBS (0.54 Kg)



FGS. PRODUCT CHART			
FGS. NO.	COLOR	POWER (MAX) W	J845 (DEC 2007)
7460CA	AMBER	16.7	CLASS 2
7460CC	CLEAR	16.9	CLASS 1

NOTES:
 1. DIMENSIONS IN INCHES [MILLIMETERS (FOR REFERENCE)]

PROPRIETARY AND CONFIDENTIAL INFORMATION

THIS DRAWING AND THE DESIGN AND OTHER INFORMATION DISCLOSED HEREIN ARE THE PROPERTY OF ELECTRONIC CONTROLS COMPANY AND/OR ITS ECCO SAFETY GROUP AFFILIATES ("ECCO") AND IS ISSUED IN CONFIDENCE TO RECIPIENT FOR ENGINEERING INFORMATION PURPOSES ONLY. THIS DRAWING AND THE DESIGN AND OTHER INFORMATION DISCLOSED HEREIN MAY NOT BE USED, COPIED, REPRODUCED OR OTHERWISE DISCLOSED IN PART OR IN WHOLE TO THIRD PARTIES OR USED FOR ANY OTHER PURPOSE WITHOUT PRIOR ECCO WRITTEN CONSENT. ECCO RESERVES ALL PATENT, COPYRIGHT, TRADEMARK AND OTHER PROPRIETARY RIGHTS TO THIS DOCUMENT, INCLUDING ALL DESIGN, MANUFACTURING, REPRODUCTION, USE AND SALES RIGHTS THERETO. THIS DRAWING IS SUBJECT TO RECALL BY ECCO AT ANY TIME, AND YOUR POSSESSION AND/OR USE CONSTITUTES ACCEPTANCE OF THESE TERMS. ©2008 ELECTRONIC CONTROLS COMPANY

SCALE 1:2.5		APPROVALS	DATE
CAD GENERATED DRAWING DO NOT MANUALLY UPDATE. MODEL REFERENCED: C		DRAWN BY ABD	2020-01-14
		CHECKED ABB	2020-01-15
TOLERANCES ARE IN INCHES, AND MILLIMETERS TOLERANCES UNLESS OTHERWISE STATED ARE:		MECH. ENG. JLA	2020-01-14
		ELEC. ENG. SPO	2020-01-15
MILLIMETERS DECIMALS XX. ± 1.0mm XX.X ± 0.5mm		TEST ENG. RM	2020-01-27
		SALES. ARS	2020-01-21
THIRD ANGLE PROJECTION		Electronically Controlled Use Latest Copy	



LED BEACON, 360*, 12-36VDC

CUSTOMER PART NO. SEE CHART		PRODUCT SERIES: 7400	
SIZE: A	DWG. NO. 7460CX	REV. F	
SHEET 1 OF 1		Project: 08023	Date Created: 2008-10-30