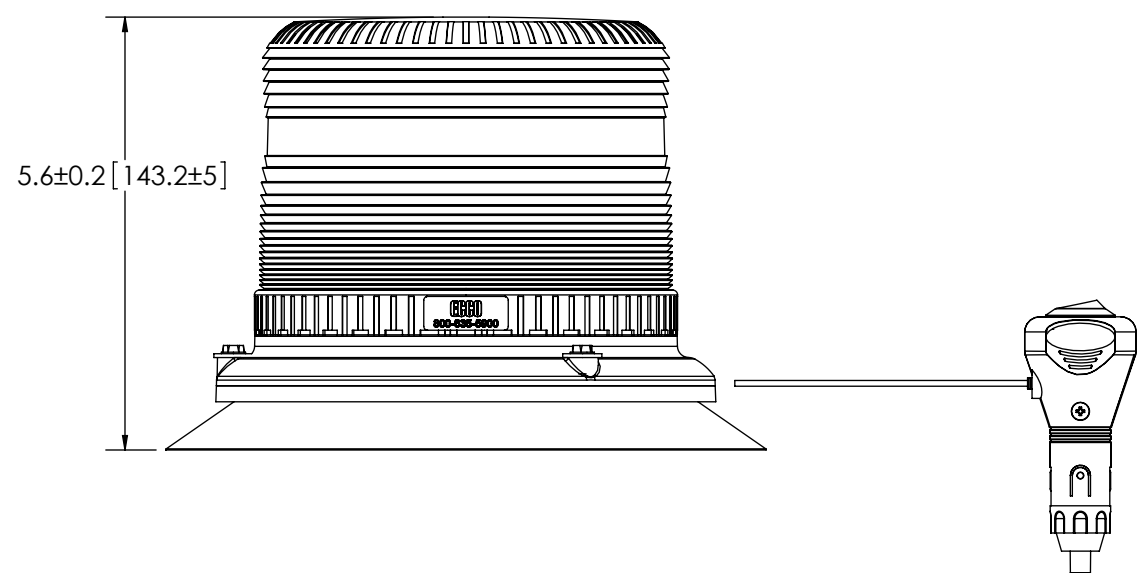
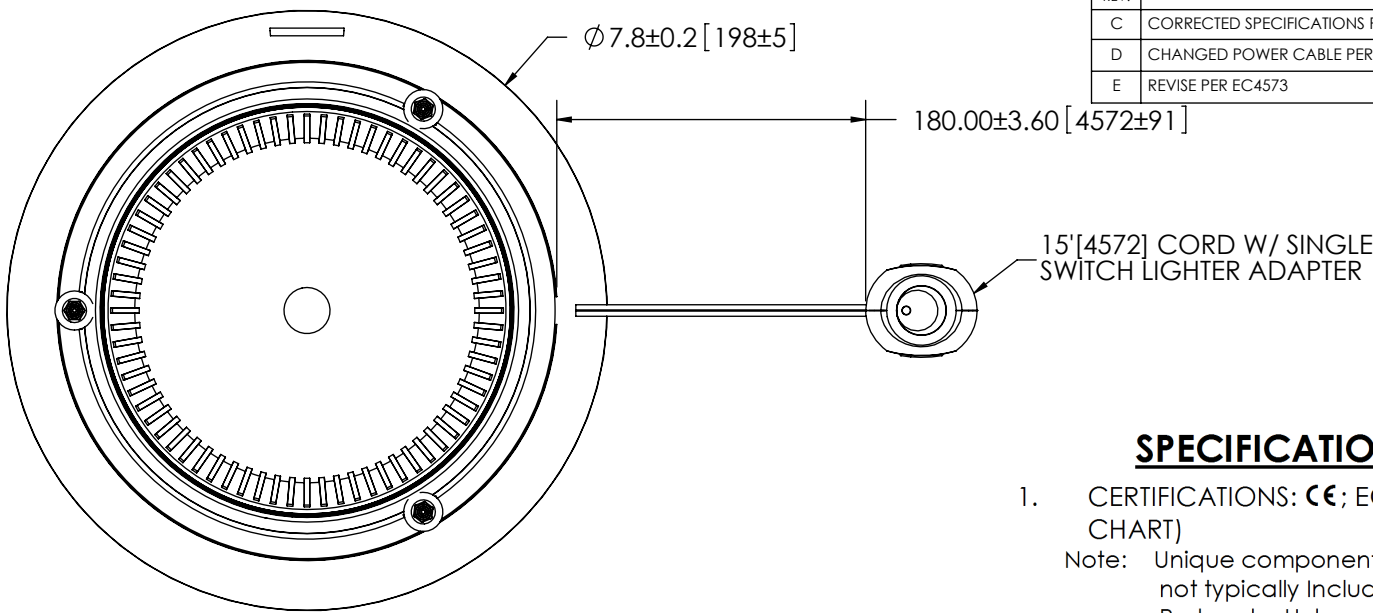


REVISION HISTORY		
REV.	DESCRIPTION	DATE
C	CORRECTED SPECIFICATIONS PER CR# 1636	2004-10-15
D	CHANGED POWER CABLE PER P3# 08025	2008-09-30
E	REVISE PER EC4573	2017-06-28

COLOR CHART		
FGS	COLOR	SAE J1318
6550A-VM	AMBER	CLASS 2
6550B-VM	BLUE	CLASS 2
6550C-VM	CLEAR	CLASS 2



SPECIFICATIONS

- CERTIFICATIONS: **CE**; ECE R10; SAE J1318 (MAY 1998) (SEE CHART)
 Note: Unique components, accessories, and hardware kits are not typically included in the Product Certification Test Protocols. Unless otherwise Specified, the Product Certifications referred to herein are predicated upon the base product model configuration.
- FLASH MODE: DOUBLE : 80 ± 5 FLASHES PER MINUTE
- VOLTAGE (NOMINAL): 12-24 VDC
- VOLTAGE (EXTREME): 9-32 VDC
- CURRENT (PEAK): 2.4A (@ 12 VDC NOMINAL)
- POWER (MAXIMUM): 30.0W (@ 12 VDC NOMINAL)
- TEMPERATURE RANGE: -22°F (-30°C) TO 122°F (50°C)
- CONNECTION: ZIP CORD W/LIGHTER ADAPTER
- MOUNTING: VACUUM/MAGNET MOUNT
- BASE MATERIAL: REINFORCED POLYPROPYLENE
- LENS MATERIAL: POLYCARBONATE
- PRODUCT WEIGHT: 2.1 LBS (0.95 Kg)

NOTES:
 1. DIMENSIONS IN INCHES [MILLIMETERS (FOR REFERENCE)]

SCALE 1:2.5		APPROVALS	DATE												
CAD GENERATED DRAWING DO NOT MANUALLY UPDATE. MODEL REFERENCED: G		DRAWN BY	2017-06-23												
		CHECKED ABD	2017-06-23												
TOLERANCES ARE IN INCHES, AND MILLIMETERS TOLERANCES UNLESS OTHERWISE STATED ARE:		MECH. ENG. NMT	2017-06-27												
		ELEC. ENG. SPO	2017-06-23												
<table border="1"> <tr> <th>MILLIMETERS DECIMALS</th> <th>INCHES DECIMALS</th> <th>ANGLES</th> </tr> <tr> <td>XX. ± 1.0mm</td> <td>X.X ± 0.1</td> <td>± 0.5°</td> </tr> <tr> <td>XX.X ± 0.5mm</td> <td>X.XX ± 0.04</td> <td>FRACTIONS</td> </tr> <tr> <td></td> <td>X.XXX ± 0.02</td> <td>± 1/64</td> </tr> </table>		MILLIMETERS DECIMALS	INCHES DECIMALS	ANGLES	XX. ± 1.0mm	X.X ± 0.1	± 0.5°	XX.X ± 0.5mm	X.XX ± 0.04	FRACTIONS		X.XXX ± 0.02	± 1/64	TEST ENG. JRT	2017-06-28
		MILLIMETERS DECIMALS	INCHES DECIMALS	ANGLES											
XX. ± 1.0mm	X.X ± 0.1	± 0.5°													
XX.X ± 0.5mm	X.XX ± 0.04	FRACTIONS													
	X.XXX ± 0.02	± 1/64													
		SALES. ARS	2017-06-26												

STROBE, 12-24VDC, 7JLS, DF, VAC MOUNT

CUSTOMER PART NO. **SEE CHART** PRODUCT SERIES: **6500**

SIZE: **A** DWG. NO. **6550X-VM** REV. **E**

Project: 98003 Date Created: 1999-04-30

THIS DRAWING AND THE DESIGN IT DISCLOSES ARE THE PRIVATE PROPERTY OF ELECTRONIC CONTROLS CO. AND IS ISSUED IN CONFIDENCE FOR ENGINEERING INFORMATION ONLY. THE DRAWING AND / OR DESIGN MAY NOT BE USED, COPIED, REPRODUCED, OR OTHERWISE DISCLOSED IN PART OR AS A WHOLE TO OUTSIDERS OR USED FOR ANY OTHER PURPOSE WITHOUT THE PRIOR WRITTEN CONSENT OF ELECTRONIC CONTROLS CO. THE DRAWING IS SUBJECT TO RECALL AT ANY TIME. YOUR POSSESSION OF THIS DOCUMENT CONSTITUTES ACCEPTANCE OF THESE TERMS. © 1999 ELECTRONIC CONTROLS CO.