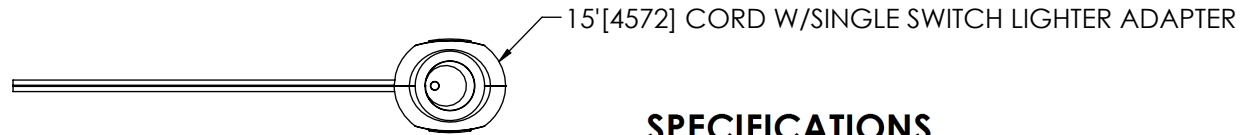
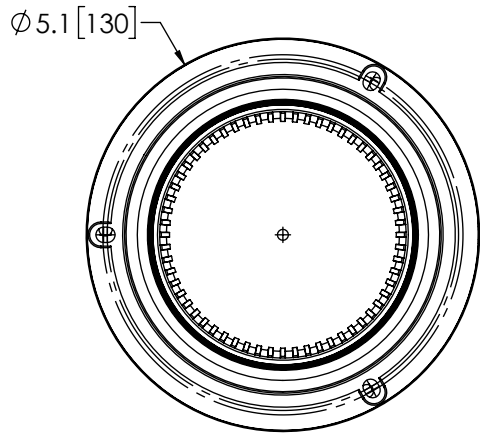
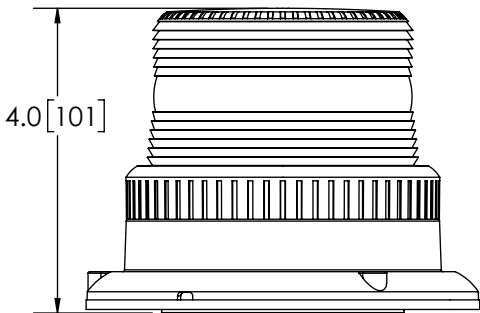


REVISION HISTORY		
REV.	DESCRIPTION	DATE
B	REVISE PER P13008	2015-01-16
C	REVISE PER EC4573	2017-06-28
D	REVISE PER EP0026	2018-08-27



SPECIFICATIONS

- CERTIFICATIONS: **CE**; ECE R10; SAE SEE CHART
 Note: Unique components, accessories, and hardware kits are not typically Included in the Product Certification Test Protocols. Unless otherwise Specified, the Product Certifications referred to herein are predicated upon the base product model configuration.
- FLASH MODE: PULSE8 : 80 ± 5 FLASHES PER MINUTE
- VOLTAGE (NOMINAL): 12-24 VDC
- VOLTAGE (EXTREME): 9-32 VDC
- CURRENT (PEAK): 0.1A (@ 12 VDC NOMINAL)
- POWER (MAXIMUM): 1.3W (@ 12 VDC NOMINAL)
- TEMPERATURE RANGE: -22°F (-30°C) TO 122°F (50°C)
- CONNECTION: 2 CONDUCTOR CABLE W/LIGHTER ADAPTER
- MOUNTING: MAGNET MOUNT
- BASE MATERIAL: GLASS FILLED NYLON
- LENS MATERIAL: POLYCARBONATE
- PRODUCT WEIGHT: 1.5 LBS (0.68 Kg)



FG PRODUCT CHART		
FG P/N	COLOR	SAE J845
6465A-MG	AMBER	CLASS 3
6465B-MG	BLUE	N/A
6465C-MG	CLEAR	CLASS 3
6465G-MG	GREEN	N/A
6465R-MG	RED	CLASS 3

- NOTES:
 1. ROHS COMPLIANT
 2. DIMENSIONS IN INCHES [MILLIMETERS (FOR REFERENCE)]

SCALE 1:2.5		APPROVALS	DATE	
CAD GENERATED DRAWING DO NOT MANUALLY UPDATE. MODEL REFERENCED: A		DRAWN BY: ABD	2018-05-01	
TOLERANCES ARE IN INCHES, AND MILLIMETERS TOLERANCES UNLESS OTHERWISE STATED ARE:		CHECKED: ABB	2018-05-02	
MILLIMETERS DECIMALS XX ± 1.0mm XX.X ± 0.5mm	INCHES DECIMALS X.X ± 0.1 X.XX ± 0.04 X.XXX ± 0.02	MECH. ENG.: JLA	2018-05-01	LED BEACON, 360*, 12-24 VDC, MAG MNT CUSTOMER PART NO. SEE CHART PRODUCT SERIES: 6400
	ANGLES ± 0.5° FRACTIONS ± 1/64	ELEC. ENG.: GCJ	2018-05-02	
		TEST ENG.: JRT	2018-05-02	
		SALES: ARS	2018-05-02	
THIRD ANGLE PROJECTION		SIZE: A DWG. NO. 6465X-MG REV. D		
		Electronically Controlled Use Latest Copy SHEET 1 OF 1 Project: P10015 Date Created: 2012-07-16		

NON DISCLOSURE AGREEMENT
 THIS DRAWING AND THE DESIGN IT DISCLOSES ARE THE PRIVATE PROPERTY OF ELECTRONIC CONTROLS CO. AND IS ISSUED IN CONFIDENCE FOR ENGINEERING INFORMATION ONLY. THE DRAWING AND / OR DESIGN MAY NOT BE USED, COPIED, REPRODUCED, OR OTHERWISE DISCLOSED IN PART OR AS A WHOLE TO OUTSIDERS OR USED FOR ANY OTHER PURPOSE WITHOUT THE PRIOR WRITTEN CONSENT OF ELECTRONIC CONTROLS CO. THE DRAWING IS SUBJECT TO RECALL AT ANY TIME. YOUR POSSESSION OF THIS DOCUMENT CONSTITUTES ACCEPTANCE OF THESE TERMS. © 2012 ELECTRONIC CONTROLS CO.