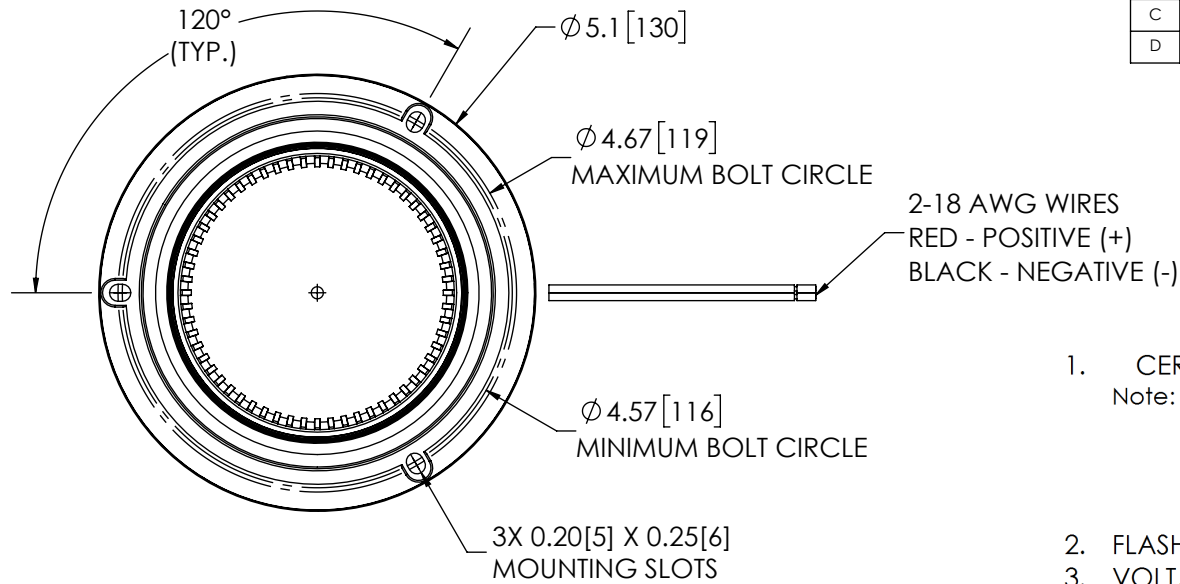
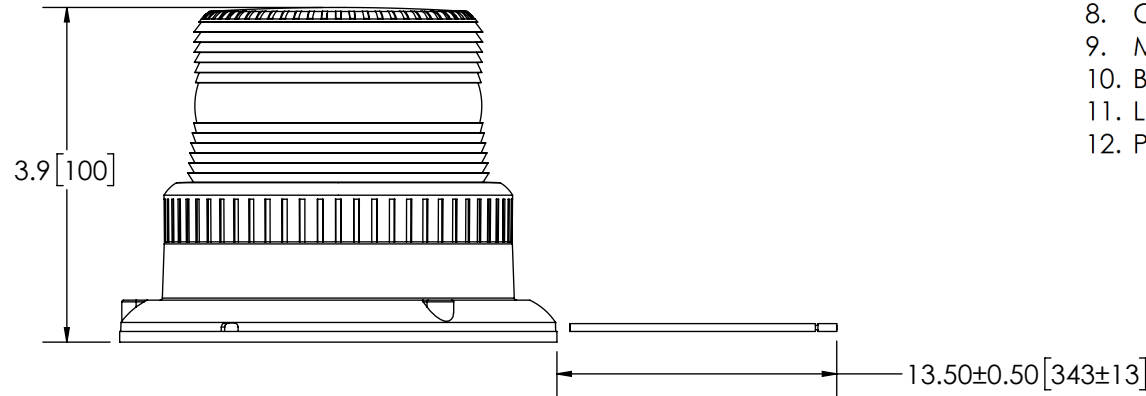


REVISION HISTORY		
REV.	DESCRIPTION	DATE
B	REVISE PER P10015	2014-07-02
C	REVISE PER P10015	2015-04-06
D	REVISE PER EP0026	2018-08-08



SPECIFICATIONS

- CERTIFICATIONS: **CE**; **UL**; ECE R10; SAE SEE CHART; ;
 Note: Unique components, accessories, and hardware kits are not typically included in the Product Certification Test Protocols. Unless otherwise Specified, the Product Certifications referred to herein are predicated upon the base product model configuration.
- FLASH MODE: PULSE8 : 80 ± 5 FLASHES PER MINUTE
- VOLTAGE (NOMINAL): 12-80 VDC
- VOLTAGE (EXTREME): 9-94 VDC
- CURRENT (PEAK): 0.1A (@ 12 VDC NOMINAL)
- POWER (MAXIMUM): 1.3W (@ 12 VDC NOMINAL)
- TEMPERATURE RANGE: -22°F (-30°C) TO 122°F (50°C)
- CONNECTION: 2-18 AWG WIRES
- MOUNTING: 3 BOLT FLANGE MOUNT
- BASE MATERIAL: GLASS FILLED NYLON
- LENS MATERIAL: POLYCARBONATE
- PRODUCT WEIGHT: 0.5 LBS (0.23 Kg)



FG PRODUCT CHART		
FG P/N	COLOR	SAE J845
6465A	AMBER	CLASS 3
6465B	BLUE	N/A
6465C	CLEAR	CLASS 3
6465G	GREEN	N/A
6465R	RED	CLASS 3

- NOTES:
- ROHS COMPLIANT
 - DIMENSIONS IN INCHES[MILLIMETERS (FOR REFERENCE)]

SCALE 1:2.25		APPROVALS	DATE																		
CAD GENERATED DRAWING DO NOT MANUALLY UPDATE. MODEL REFERENCED: B		DRAWN BY ABD	2018-05-01																		
		CHECKED ABB	2018-05-02																		
TOLERANCES ARE IN INCHES, AND MILLIMETERS TOLERANCES UNLESS OTHERWISE STATED ARE:		MECH. ENG. JLA	2018-05-01																		
		ELEC. ENG. GCJ	2018-05-02																		
TEST ENG. JRT	2018-05-02	LED BEACON, 360*, 12-80 VDC																			
SALES. ARS	2018-05-02																				
<table border="1"> <thead> <tr> <th>MILLIMETERS DECIMALS</th> <th>INCHES DECIMALS</th> <th>ANGLES</th> </tr> </thead> <tbody> <tr> <td>XX. ± 1.0mm</td> <td>X.X ± 0.1</td> <td>± 0.5°</td> </tr> <tr> <td>XX.X ± 0.5mm</td> <td>X.XX ± 0.04</td> <td>FRACTIONS</td> </tr> <tr> <td></td> <td>X.XXX ± 0.02</td> <td>± 1/64</td> </tr> </tbody> </table>		MILLIMETERS DECIMALS	INCHES DECIMALS	ANGLES	XX. ± 1.0mm	X.X ± 0.1	± 0.5°	XX.X ± 0.5mm	X.XX ± 0.04	FRACTIONS		X.XXX ± 0.02	± 1/64	<table border="1"> <thead> <tr> <th>SIZE:</th> <th>DWG. NO.</th> <th>REV.</th> </tr> </thead> <tbody> <tr> <td>A</td> <td>6465X</td> <td>D</td> </tr> </tbody> </table>		SIZE:	DWG. NO.	REV.	A	6465X	D
MILLIMETERS DECIMALS	INCHES DECIMALS	ANGLES																			
XX. ± 1.0mm	X.X ± 0.1	± 0.5°																			
XX.X ± 0.5mm	X.XX ± 0.04	FRACTIONS																			
	X.XXX ± 0.02	± 1/64																			
SIZE:	DWG. NO.	REV.																			
A	6465X	D																			
THIRD ANGLE PROJECTION 		Electronically Controlled Use Latest Copy																			



CUSTOMER PART NO.		PRODUCT SERIES:
SEE CHART		6400
DATE CREATED: 2012-07-16	Project: P10015	

THIS DRAWING AND THE DESIGN IT DISCLOSES ARE THE PRIVATE PROPERTY OF ELECTRONIC CONTROLS CO. AND IS ISSUED IN CONFIDENCE FOR ENGINEERING INFORMATION ONLY. THE DRAWING AND / OR DESIGN MAY NOT BE USED, COPIED, REPRODUCED, OR OTHERWISE DISCLOSED IN PART OR AS A WHOLE TO OUTSIDERS OR USED FOR ANY OTHER PURPOSE WITHOUT THE PRIOR WRITTEN CONSENT OF ELECTRONIC CONTROLS CO. THE DRAWING IS SUBJECT TO RECALL AT ANY TIME. YOUR POSSESSION OF THIS DOCUMENT CONSTITUTES ACCEPTANCE OF THESE TERMS. © 2012 ELECTRONIC CONTROLS CO.