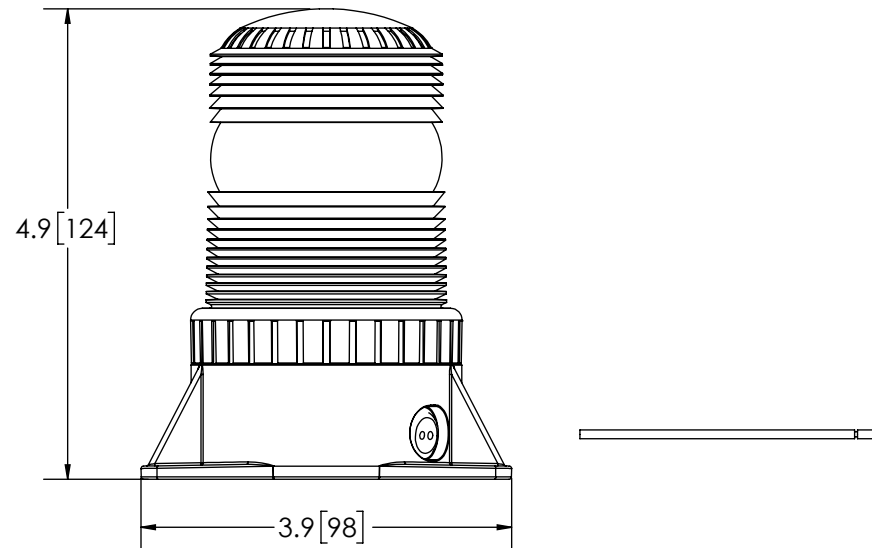
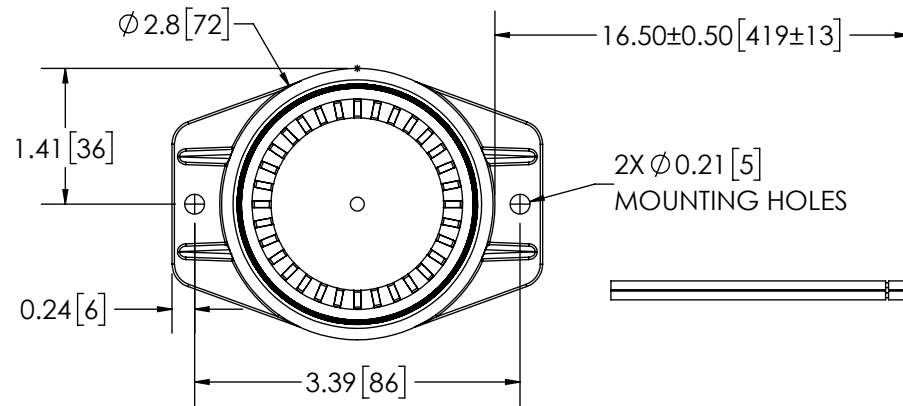


REVISION HISTORY		
REV.	DESCRIPTION	DATE
D	REVISE PER EC3718	2015-06-26
E	REVISE PER EC3718	2018-04-10
F	REVISED PER EP0002	2018-04-10

SPECIFICATIONS

- CERTIFICATIONS: **CE**; **UL**; ECE R10; SAE SEE CHART; ; IP-66D/IP-67D for a Category 2, Versatile enclosure
 Note: Unique components, accessories, and hardware kits are not typically Included in the Product Certification Test Protocols. Unless otherwise Specified, the Product Certifications referred to herein are predicated upon the base product model configuration.
- FLASH MODE: PULSE8 : 80 ± 5 FLASHES PER MINUTE
- VOLTAGE (NOMINAL): 12-80 VDC
- VOLTAGE (EXTREME): 9-94 VDC
- CURRENT (PEAK): 0.12A (@ 12 VDC NOMINAL)
- POWER (MAXIMUM): 1.5W (@ 12 VDC NOMINAL)
- TEMPERATURE RANGE: -22°F (-30°C) TO 122°F (50°C)
- CONNECTION: 2-16 AWG LEAD WIRES
- MOUNTING: 2 BOLT
- BASE MATERIAL: GF POLYPROPYLENE
- LENS MATERIAL: POLYCARBONATE
- PRODUCT WEIGHT: 0.62 LBS (0.28 Kg)



FG PRODUCT CHART		
FG P/N	COLOR	SAE J845 JUN 2013
6262A	AMBER	CLASS 3
6262B	BLUE	N/A
6262C	CLEAR	CLASS 3
6262G	GREEN	N/A
6262R	RED	CLASS 3

- NOTES:
- ROHS COMPLIANT
 - DIMENSIONS IN INCHES[MILLIMETERS (FOR REFERENCE)]

SCALE 1:2	APPROVALS	DATE
CAD GENERATED DRAWING DO NOT MANUALLY UPDATE. MODEL REFERENCED: C	DR Annie Braithwaite	2018-04-10
	CHECKED ABB	
TOLERANCES ARE IN INCHES, AND MILLIMETERS TOLERANCES UNLESS OTHERWISE STATED ARE:	MECH. ENG. JLA	
	ELEC. ENG. GCJ	
MILLIMETERS DECIMALS XX. ± 1.0mm XX.X ± 0.5mm	TEST ENG. JRT	
	SALES. ARS	
INCHES DECIMALS X.X ± 0.1 X.XX ± 0.04 X.XXX ± 0.02		
ANGLES ± 0.5°		
FRACTIONS ± 1/64		
THIRD ANGLE PROJECTION		
Electronically Controlled Use Latest Copy		



LED BEACON, 360*, 12-80VDC

CUSTOMER PART NO. SEE CHART		PRODUCT SERIES: 6200	
SIZE: A	DWG. NO. 6262X	REV. F	
SHEET 1 OF 1		Project: P12001	Date Created: 2013-01-03

THIS DRAWING AND THE DESIGN IT DISCLOSES ARE THE PRIVATE PROPERTY OF ELECTRONIC CONTROLS CO. AND IS ISSUED IN CONFIDENCE FOR ENGINEERING INFORMATION ONLY. THE DRAWING AND / OR DESIGN MAY NOT BE USED, COPIED, REPRODUCED, OR OTHERWISE DISCLOSED IN PART OR AS A WHOLE TO OUTSIDERS OR USED FOR ANY OTHER PURPOSE WITHOUT THE PRIOR WRITTEN CONSENT OF ELECTRONIC CONTROLS CO. THE DRAWING IS SUBJECT TO RECALL AT ANY TIME. YOUR POSSESSION OF THIS DOCUMENT CONSTITUTES ACCEPTANCE OF THESE TERMS. © 2013 ELECTRONIC CONTROLS CO.