



BEACONS | MINIBARS | LIGHTBARS | DIRECTIONALS | WORKLAMPS | UTILITY BARS | INTERIOR LIGHTING | CAMERA SYSTEMS

## BACK-UP ALARMS

### 600 SERIES

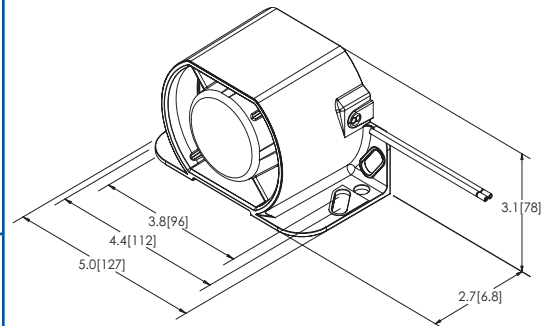
Designed to meet all the harsh operational requirements of any fleets equipment, ECCO 600 Series alarms feature a reverse-mounted speaker design and reinforced nylon housing providing unrivaled durability. These alarms are so robust that an ECCOLIFE™ warranty covering the alarm for the life of the vehicle is offered on all models. Smart Alarm® models measure ambient noise and adjust their sound level, creating a volume that is safe without being annoying or contributing to noise pollution. Smart Alarms eliminate the need for constant manual adjustment and help prevent intentional alarm disconnection.

#### Models

PART NO.		VOLTAGE	dB(A)	AMPS	APPROVALS
SA901N		12-24	82-107	0.3	CE, R10, UL, IP64
SA931N		12-48	82-102	0.2	CE, R10, UL, IP64
SA980N		36-80	82-102	0.2	CE, R10, UL, IP64
630N		12-36	107	1.2	SAE Type B, CE, R10, UL, AMECA
610N		12-36	97	0.4	SAE Type C, CE, R10, UL, AMECA

#### Features and Benefits

- Reverse-mounted speaker enhances sound and protects the speaker from dust and moisture ingress
- Reinforced nylon housing eliminates corrosion damage
- Sealed in epoxy for protection against dust, moisture, and vibration
- Steam cleanable and pressure washable
- Works on positive or negative ground systems
- Temperature Range: -40°F to +185°F (-40°C to +85°C)
- ECCOLIFE™ Warranty



#### Alarm Specifications

Connection: 16 AWG blunt cut wires  
 Reinforced nylon housing  
 Recommended mounting bolt: 5/16-18 UNC Grade 5  
 Recommended washer: 5/16" Type A, Series N or W  
 Recommended mounting torque: 156 in. lbs.