



Installation and Operation Instructions

Rotating Beacon

IMPORTANT! Read all instructions before installing and using. Installer: This manual must be delivered to the end user.



WARNING!
Failure to install or use this product according to manufacturer's recommendations may result in property damage, serious bodily/personal injury, and/or death to you and those you are seeking to protect!



Do not install and/or operate this safety product unless you have read and understand the safety information contained in this manual.

1. Proper installation combined with operator training in the use, care, and maintenance of emergency warning devices are essential to ensure the safety of you and those you are trying to protect.
2. Exercise caution when working with live electrical connections.
3. This product must be properly grounded. Inadequate grounding and/or shorting of electrical connections can cause high current arcing, which can cause personal injury and/or severe vehicle damage, including fire.
4. Proper placement and installation are vital to the performance of this warning device. Install this product so that output performance of the system is maximized and the controls are placed within convenient reach of the operator so that s/he can operate the system without losing eye contact with the roadway.
5. It is the responsibility of the vehicle operator to ensure during use that all features of this product work correctly. In use, the vehicle operator should ensure the projection of the warning signal is not blocked by vehicle components (i.e., open trunks or compartment doors), people, vehicles, or other obstructions.
6. The use of this or any other warning device does not ensure all drivers can or will observe or react to a warning signal. Never take the right-of-way for granted. It is your responsibility to be sure you can proceed safely before entering an intersection, driving against traffic, responding at a high rate of speed, walking on or around traffic lanes.
7. This equipment is intended for use by authorized personnel only. The user is responsible for understanding and obeying all laws regarding warning signal devices. Therefore, the user should check all applicable city, state, and federal laws and regulations. The manufacturer assumes no liability for any loss resulting from the use of this warning device.

5840 Flush Mount Rotating Beacon: (Refer to Figure 1)

The 5840 is a European style, permanent mount rotating beacon.

1. Select the mounting location for the beacon on a flat, smooth surface. If the beacon is to be mounted on a curved surface, such as on the roof of the vehicle, choose a placement with the least amount of curvature. The mounting location for the beacon should be chosen such that there is maximum visibility to the oncoming traffic. Caution: When drilling into any vehicle surface, make sure that the area is free from any electrical wires, fuel lines, vehicle upholstery, etc. that could be damaged.
2. Remove the three (3) mounting bolts from the base.
3. Place the unit in the desired mounting position, and mark the position of the mounting holes.
4. Drill the mounting holes using a 1/4" drill.
5. Drill a 3/8" hole for the beacon's power supply wires, and deburr. The hole should be underneath where the beacon will be mounted. Note: the use of a grommet is recommended, to protect the wires from the sharp edges of the hole.
6. Wire the beacon as shown in Figure 2. Apply sealant around the wires where they pass through the mounting surface to prevent leakage.
7. Mount the beacon, using the holes drilled in Step 3. Install nuts & washers, and secure the unit.

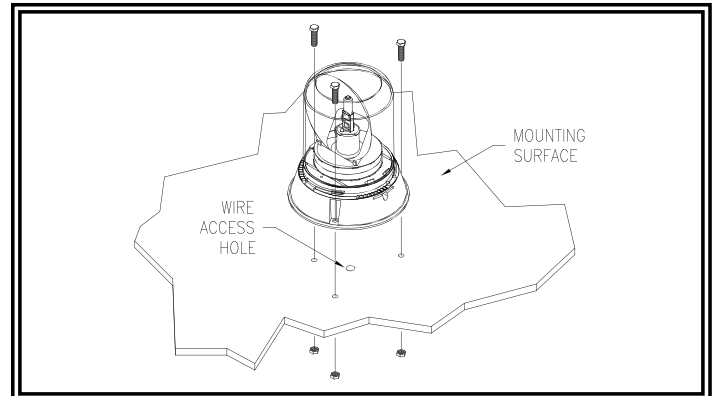


Figure 1

5850 Pole Mount Rotating Beacon:

The 5850 is designed for pipe mounting using a standard DIN connector for easy removal and storage. To mount, simply plug in the 5850 to the DIN connector and tighten the securing wing nut. ECCO offers two types of DIN connectors (sold separately)

A5850 LB - L Bracket
A5850 TB - T Bracket

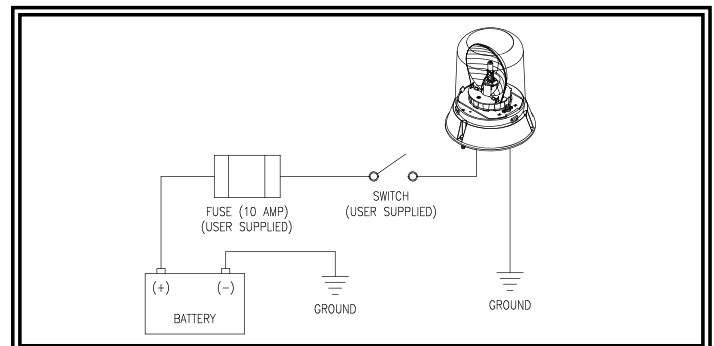


Figure 2