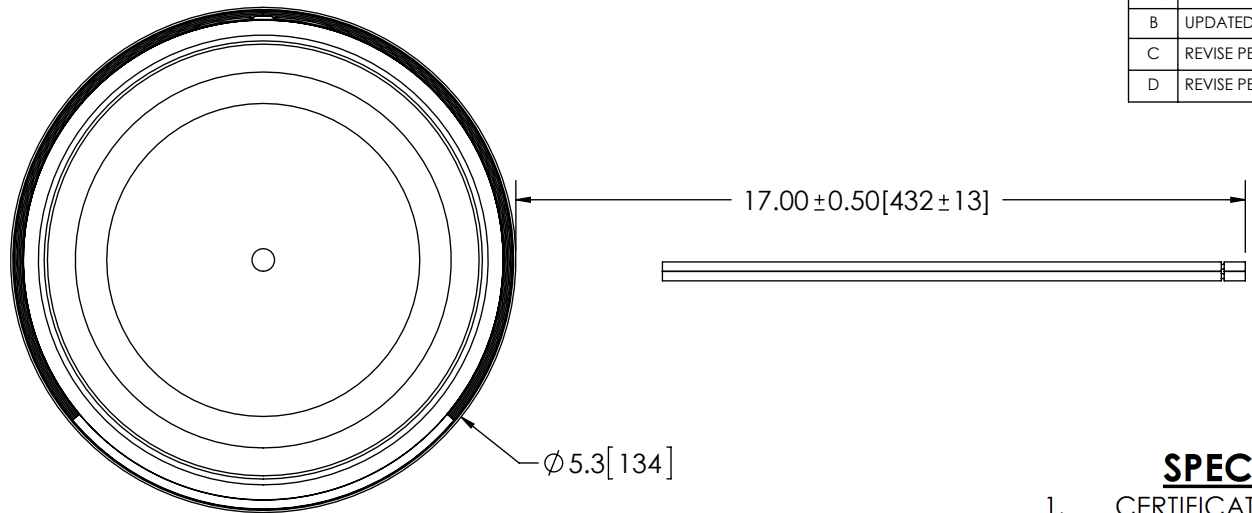


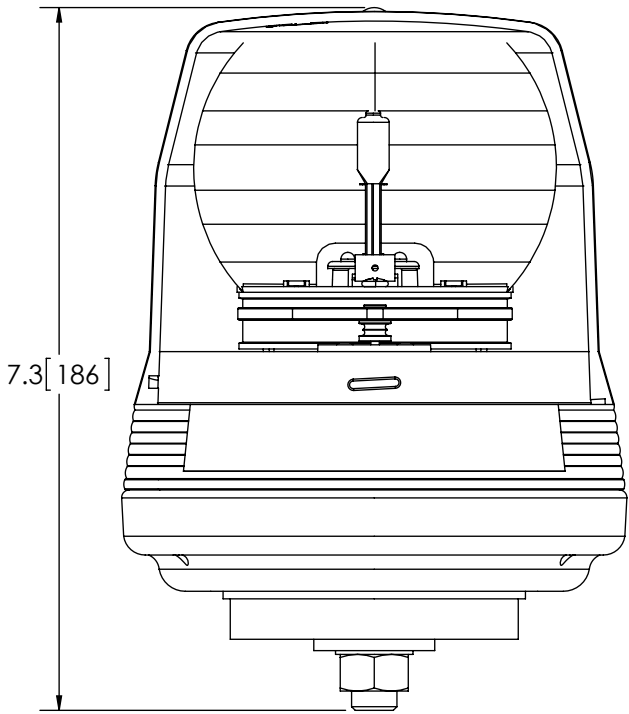
REVISION HISTORY		
REV.	DESCRIPTION	DATE
B	UPDATED FORMAT PER P3# 09041	2009-11-12
C	REVISE PER LM12218	2014-08-21
D	REVISE PER LM12218	2015-08-11



COLOR CHART			
FGS P/N	COLOR	SAE J845	ECE R 65
5816A	AMBER	CLASS 1	X
5816B	BLUE	CLASS 1	X
5816R	RED	CLASS 1	

SPECIFICATIONS

- CERTIFICATIONS: ECE R10; SAE J845 (2013) CLASS 1 YELLOW (AMBER); Reg 65 Cert; Rated IP-54
 Note: Unique components, accessories, and hardware kits are not typically Included in the Product Certification Test Protocols. Unless otherwise Specified, the Product Certifications referred to herein are predicated upon the base product model configuration.
- FLASH MODE: ROTATE : 195 ± 5 FLASHES PER MINUTE
- VOLTAGE (NOMINAL): 12 VDC
- VOLTAGE (EXTREME): 9.0 to 16.0 VDC
- CURRENT (PEAK): 4.92A (@ 12 VDC NOMINAL)
- POWER (MAXIMUM): 63.0W (@ 12 VDC NOMINAL)
- TEMPERATURE RANGE: -22°F (-30°C) TO 122°F (50°C)
- CONNECTION: 2-16 AWG WIRES
- MOUNTING: FLEXI, One Bolt
- BASE MATERIAL: POLYCARBONATE
- LENS MATERIAL: POLYCARBONATE
- PRODUCT WEIGHT: 2.0 LBS (0.9 Kg)



NOTES:
 1. DIMENSIONS IN INCHES[MILLIMETERS (FOR REFERENCE)]

SCALE 1:2		APPROVALS	DATE	
CAD GENERATED DRAWING DO NOT MANUALLY UPDATE. MODEL REFERENCED:D+		DRAWN BY ABD	2015-07-27	
		CHECKED ABB	2015-07-28	
TOLERANCES ARE IN INCHES, AND MILLIMETERS TOLERANCES UNLESS OTHERWISE STATED ARE:		MECH. ENG. KLR	2015-07-27	
		ELEC. ENG. TJT	2015-07-27	
MILLIMETERS DECIMALS XX. ± 1.0mm XX.X ± 0.5mm		INCHES DECIMALS X.X ± 0.1 X.XX ± 0.04 X.XXX ± 0.02	TEST ENG. JRT	2015-07-29
			SALES. LAT	2015-08-11
THIRD ANGLE PROJECTION				

		ROTO BEACON, 12V, SINGLE BOLT	
SIZE: A	DWG. NO. 5816X	REV. D	
Electronically Controlled Use Latest Copy		SHEET 1 OF 1	Project: CR# 1576 Date Created: 2004-06-30

THIS DRAWING AND THE DESIGN IT DISCLOSES ARE THE PRIVATE PROPERTY OF ESG AND IS ISSUED IN CONFIDENCE FOR ENGINEERING INFORMATION ONLY. THE DRAWING AND / OR DESIGN MAY NOT BE USED, COPIED, REPRODUCED, OR OTHERWISE DISCLOSED IN PART OR AS A WHOLE TO OUTSIDERS OR USED FOR ANY OTHER PURPOSE WITHOUT THE PRIOR WRITTEN CONSENT OF ESG. THE DRAWING IS SUBJECT TO RECALL AT ANY TIME. YOUR POSSESSION OF THIS DOCUMENT CONSTITUTES ACCEPTANCE OF THESE TERMS. © 2004 ECCO