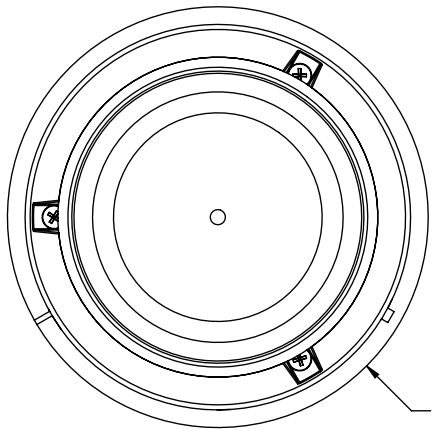
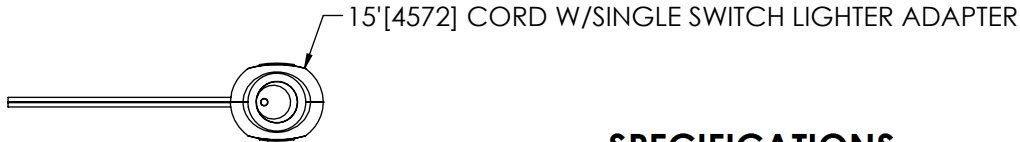


REVISION HISTORY		
REV.	DESCRIPTION	DATE
C	UPDATED CABLE AND FORMAT PER P3# 09041	2009-10-29
D	REVISE PER LM12218	2014-08-20
E	REVISE PER LM12218	2015-07-21



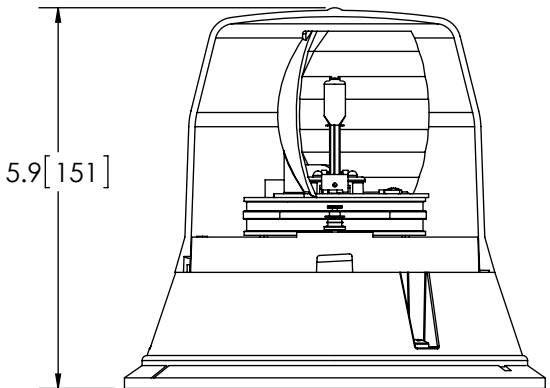
Ø6.6 [167]



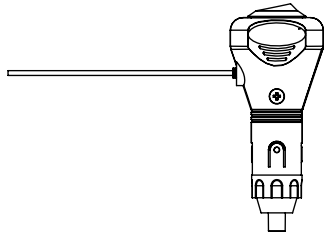
15' [4572] CORD W/SINGLE SWITCH LIGHTER ADAPTER

SPECIFICATIONS

- CERTIFICATIONS: ECE R10; SAE J845 (JUN 2013) CLASS 1; YELLOW; Reg 65 CertE11 65R-000060; IP54
 Note: Unique components, accessories, and hardware kits are not typically Included in the Product Certification Test Protocols. Unless otherwise Specified, the Product Certifications referred to herein are predicated upon the base product model configuration.
- FLASH MODE: ROTATE : 195 ± 5 FLASHES PER MINUTE
- VOLTAGE (NOMINAL): 12 VDC
- VOLTAGE (EXTREME): 9.0 to 16.0 VDC
- CURRENT (PEAK): 4.92A (@ 12 VDC NOMINAL)
- POWER (MAXIMUM): 63.0W (@ 12 VDC NOMINAL)
- TEMPERATURE RANGE: -22°F (-30°C) TO 122°F (50°C)
- CONNECTION: 15' CORD W/SINGLE SWITCH LIGHTER ADAPTER
- MOUNTING: MAGNET MOUNT
- BASE MATERIAL: POLYCARBONATE
- LENS MATERIAL: POLYCARBONATE
- PRODUCT WEIGHT: 2.0 LBS (0.9 Kg)



5.9 [151]



COLOR CHART			
FGS P/N	COLOR	SAE J845	ECE R 65
5813A-MG	AMBER	CLASS 1	X
5813B-MG	BLUE	CLASS 1	X
5813R-MG	RED	CLASS 1	

NOTES:
 1. DIMENSIONS IN INCHES [MILLIMETERS] (FOR REFERENCE)

SCALE 1:3	APPROVALS	DATE
CAD GENERATED DRAWING DO NOT MANUALLY UPDATE. MODEL REFERENCED:F	DRAWN BY ABB	2015-07-02
	CHECKED MDH	2015-07-06
TOLERANCES ARE IN INCHES, AND MILLIMETERS TOLERANCES UNLESS OTHERWISE STATED ARE:	MECH. ENG. KLR	2015-07-02
	ELEC. ENG. TJT	2015-07-02
MILLIMETERS DECIMALS XX. ± 1.0mm XX.X ± 0.5mm	TEST ENG. JRT	2015-07-20
	SALES. LAT	2015-07-06
INCHES DECIMALS X.X ± 0.1 X.XX ± 0.04 X.XXX ± 0.02		
ANGLES ± 0.5°		
FRACTIONS ± 1/64		



ROTO BEACON, 12V, MAGNET MOUNT

CUSTOMER PART NO. SEE CHART	PRODUCT SERIES: 5800
SIZE: A	DWG. NO. 5813X-MG
Project: CR# 1576	
Date Created: 2004-06-30	

NON DISCLOSURE AGREEMENT
 THIS DRAWING AND THE DESIGN IT DISCLOSES ARE THE PRIVATE PROPERTY OF ESG AND IS ISSUED IN CONFIDENCE FOR ENGINEERING INFORMATION ONLY. THE DRAWING AND / OR DESIGN MAY NOT BE USED, COPIED, REPRODUCED, OR OTHERWISE DISCLOSED IN PART OR AS A WHOLE TO OUTSIDERS OR USED FOR ANY OTHER PURPOSE WITHOUT THE PRIOR WRITTEN CONSENT OF ESG. THE DRAWING IS SUBJECT TO RECALL AT ANY TIME. YOUR POSSESSION OF THIS DOCUMENT CONSTITUTES ACCEPTANCE OF THESE TERMS. © 2004 ECCO

