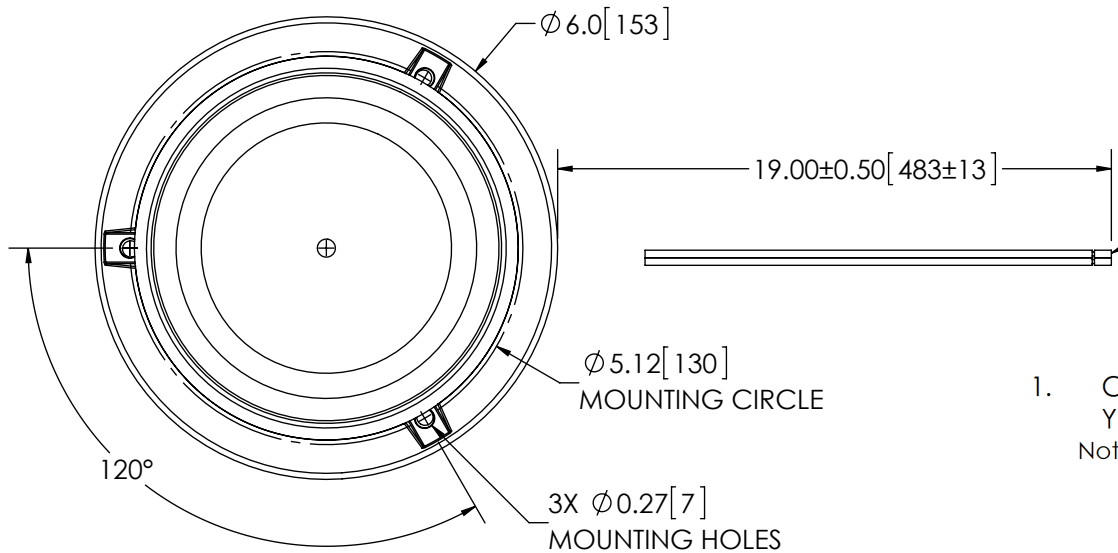


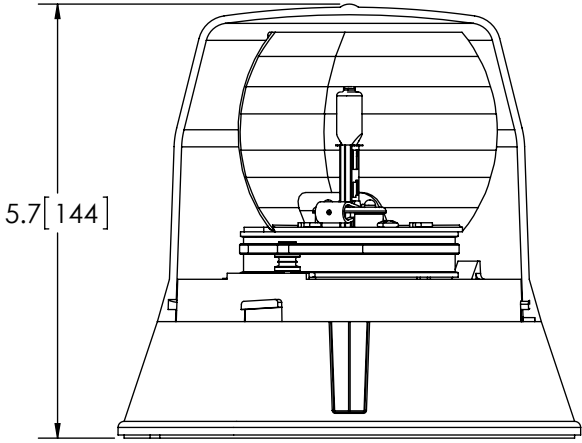
REVISION HISTORY		
REV.	DESCRIPTION	DATE
B	UPDATED FORMAT AND SPECIFICATIONS PER P3# 09041	2009-10-26
C	REVISE PER EC3133	2015-01-13
D	REVISE PER EC3133	2015-07-16



2- 16 AWG WIRES:  
RED- POSITIVE(+)  
BLK- NEGATIVE(-)

**SPECIFICATIONS**

- CERTIFICATIONS: ECE R10; SAE J845 (JUN 2013) CLASS 1; YELLOW; Reg 65 CertECE R65; IP54  
Note: Unique components, accessories, and hardware kits are not typically included in the Product Certification Test Protocols. Unless otherwise Specified, the Product Certifications referred to herein are predicated upon the base product model configuration.
- FLASH MODE: ROTATE : 195 ± 5 FLASHES PER MINUTE
- VOLTAGE (NOMINAL): 12 VDC
- VOLTAGE (EXTREME): 9.0 to 16.0 VDC
- CURRENT (PEAK): 4.9A (@ 12 VDC NOMINAL)
- POWER (MAXIMUM): 63.0W (@ 12 VDC NOMINAL)
- TEMPERATURE RANGE: -22°F (-30°C) TO 122°F (50°C)
- CONNECTION: 2 - 16 AWG WIRES
- MOUNTING: 3 BOLTS, FLUSH MOUNT
- BASE MATERIAL: POLYCARBONATE
- LENS MATERIAL: POLYCARBONATE
- PRODUCT WEIGHT: 0.9 LBS (0.41 Kg)



COLOR CHART			
FGS P/N	COLOR	SAE J845	ECE R 65
5813A	AMBER	CLASS 1	X
5813B	BLUE	CLASS 1	X
5813R	RED	CLASS 1	

NOTES:  
1. DIMENSIONS IN INCHES[MILLIMETERS (FOR REFERENCE)]

SCALE 1:2.5		APPROVALS	DATE
CAD GENERATED DRAWING DO NOT MANUALLY UPDATE. MODEL REFERENCED:C+		DRAWN BY ABB	2015-07-02
		CHECKED MDH	2015-07-06
TOLERANCES ARE IN INCHES, AND MILLIMETERS TOLERANCES UNLESS OTHERWISE STATED ARE:		MECH. ENG. KLR	2015-07-02
		ELEC. ENG. TJT	2015-07-02
MILLIMETERS DECIMALS XX. ± 1.0mm XX.X ± 0.5mm	INCHES DECIMALS X.X ± 0.1 X.XX ± 0.04 X.XXX ± 0.02	ANGLES ± 0.5°	FRACTIONS ± 1/64
THIRD ANGLE PROJECTION		TEST ENG. JRT	2015-07-10
		SALES. LAT	2015-07-06
		Electronically Controlled Use Latest Copy	



**ROTO, 12VDC, 3 BOLT MOUNT**

CUSTOMER PART NO. <b>SEE CHART</b>		PRODUCT SERIES: <b>5800</b>	
SIZE: A	DWG. NO. 5813X	REV. D	
SHEET 1 OF 1		Project: CR#1576	Date Created: 2004-06-30

THIS DRAWING AND THE DESIGN IT DISCLOSES ARE THE PRIVATE PROPERTY OF ESG AND IS ISSUED IN CONFIDENCE FOR ENGINEERING INFORMATION ONLY. THE DRAWING AND / OR DESIGN MAY NOT BE USED, COPIED, REPRODUCED, OR OTHERWISE DISCLOSED IN PART OR AS A WHOLE TO OUTSIDERS OR USED FOR ANY OTHER PURPOSE WITHOUT THE PRIOR WRITTEN CONSENT OF ESG. THE DRAWING IS SUBJECT TO RECALL AT ANY TIME. YOUR POSSESSION OF THIS DOCUMENT CONSTITUTES ACCEPTANCE OF THESE TERMS. © 2004 ECCO