



MINIBARS | LIGHTBARS | DIRECTIONALS | WORKLAMPS | UTILITY BARS | INTERIOR LIGHTING | BACK-UP ALARMS | CAMERA SYSTEMS

## BEACONS

### 5800 SERIES SAE Class I Rotator

Available in a wide range of base mountings and two height profiles, these rotating beacons produce SAE Class I light output. The 5800 series incorporates a smooth and quiet belt drive module with stainless steel bearings that provides long life and reliable service. Reflectors incorporate a free-form optical design that maximizes light output and beam spread.

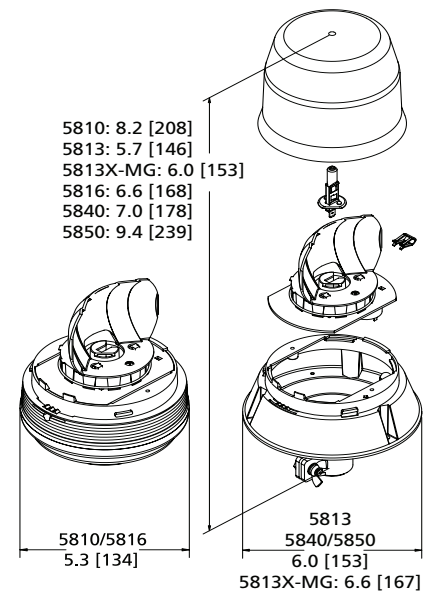
#### Models

PART NO.	VOLTAGE	AMPS	FPM	MOUNT
5810X	12	4.9	195	DIN Pole
5813X	12	4.9	195	3 Bolt
5813X-MG	12	4.9	195	Magnet
5816X	12	4.9	195	1 Bolt Flexi
5840A	12	4.9	195	3 Bolt (high profile)
5850A	12	4.9	195	DIN Pole (high profile)

Replace X in part number with desired color: A = amber, B = blue, R = red (5840 & 5850 amber only)

#### Features and Benefits

- Economical style beacon available in several mounting styles
- DIN models designed to fit DIN #72591
- Flexi-Base model rubber base resists vibration & protects against minor impacts
- Twist-on lens secures with a locking screw
- 55-watt halogen bulb
- SAE J845 Class I (5810, 5813, 5816 only), R10, R65
- Temperature Range: -22°F to +122°F (-30°C to +50°C)
- Warranty: Rotator = 1 year / Bulb = 90 days



#### Parts & Accessories

- Bulb: R5812BH
- Lens: Amber - R5810LA  
Blue - R5810LB  
Red - R5810LR
- High Profile Lens: Amber - R5840CA