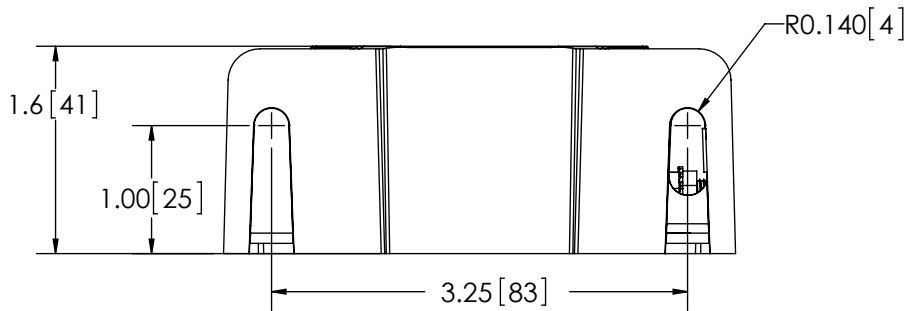
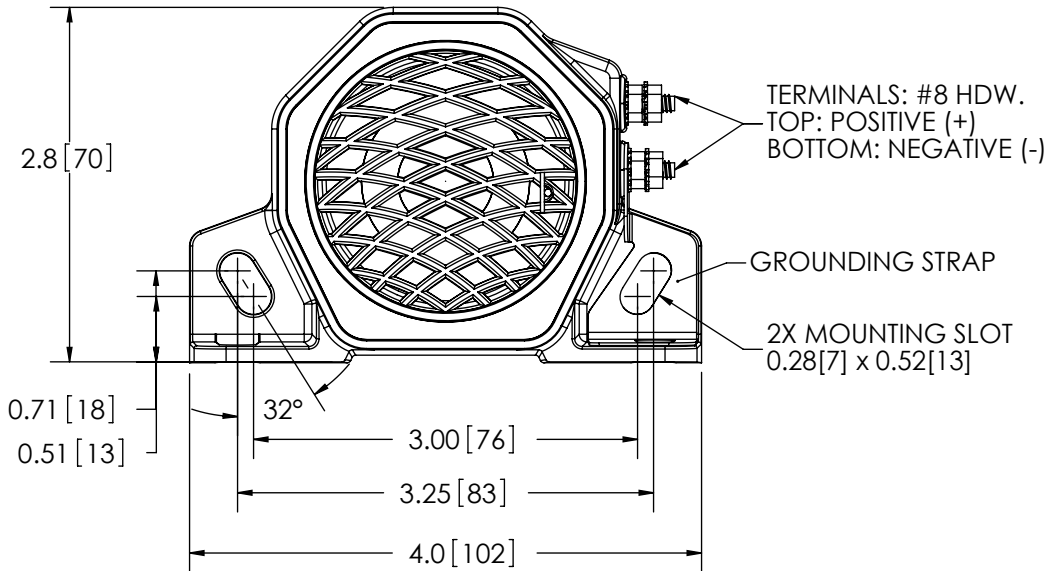



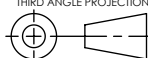
| REVISION HISTORY | | |
|------------------|---|------------|
| REV. | DESCRIPTION | DATE |
| B | CORRECTED MOUNTING BOLT CALLOUT PER CR#805 | 2001-10-10 |
| C | CHGD HOUSING & REVISED PER P3# 03026 & CR# 1173 | 2003-09-05 |
| D | REVISE PER P10014 | 2012-08-29 |



SPECIFICATIONS

- CERTIFICATIONS: **CE**; **UL**; e; SAE J994 (AUG 2009), TYPE D;
Note: Unique components, accessories, and hardware kits are not typically included in the Product Certification Test Protocols. Unless otherwise Specified, the Product Certifications referred to herein are predicated upon the base product model configuration.
- SOUND PRESSURE LEVEL: 87 ± 4 dB (A) @ 1.2m (4ft)
- VOLTAGE (NOMINAL): 12 to 80 VDC
- VOLTAGE (EXTREME): 9.0 to 92.0 VDC
- CURRENT (PEAK): 0.1 A (@ 12 VDC NOMINAL)
- POWER (MAXIMUM): 3 W (@ 12 VDC NOMINAL)
- TEMPERATURE RANGE: -40°F (-40°C) TO 185°F (85°C)
- FREQUENCY: 960 to 1440 Hz
- CONNECTION: 8 - 32 UNI STUD CONNECTION
- RECOMMENDED MOUNTING: 1/4 - 20 UNC, GRADE 5 OR BETTER, 1/4" TYPE A, SERIES N OR W WASHER
- HOUSING MATERIAL: GLASS FILLED NYLON
- PRODUCT WEIGHT: 0.8 LBS (0.36 Kg)

NOTES:
1. DIMENSIONS IN INCHES[MILLIMETERS (FOR REFERENCE)]

| SCALE 1:1.5 | | APPROVALS | DATE |  | | | |
|---|---|----------------|------------|---|-------------------------------|------------------|--------------------------|
| CAD GENERATED DRAWING DO NOT MANUALLY UPDATE. MODEL REFERENCED: C | | DRAWN BY JDT | 2012-08-28 | | | | |
| TOLERANCES ARE IN INCHES, AND MILLIMETERS TOLERANCES ARE: | | CHECKED BND | 2012-08-29 | | | | |
| MILLIMETERS DECIMALS XX ± 1.0mm XX.X ± 0.5mm | INCHES DECIMALS X.X ± 0.1 X.XX ± 0.04 X.XXX ± 0.02 | MECH. ENG. JLA | 2012-08-28 | ALARM, BACK-UP, 87DBA, 12-80VDC | | | |
| | ANGLES ± 0.5° FRACTIONS ± 1/64 | ELEC. ENG. JES | 2012-08-28 | | | | |
| | | TEST ENG. JRT | 2012-08-28 | | | | |
| | | SALES. DEH | 2012-08-28 | | | | |
| NON DISCLOSURE AGREEMENT | | | | CUSTOMER PART NO. 580 | PRODUCT SERIES: 500 | | |
| THIRD ANGLE PROJECTION  | | | | SIZE: A | DWG. NO. 580 | REV. D | |
| THIS DRAWING AND THE DESIGN IT DISCLOSES ARE THE PRIVATE PROPERTY OF ECCO AND IS ISSUED IN CONFIDENCE FOR ENGINEERING INFORMATION ONLY. THE DRAWING AND / OR DESIGN MAY NOT BE USED, COPIED, REPRODUCED, OR OTHERWISE DISCLOSED IN PART OR AS A WHOLE TO OUTSIDERS OR USED FOR ANY OTHER PURPOSE WITHOUT THE PRIOR WRITTEN CONSENT OF ECCO. THE DRAWING IS SUBJECT TO RECALL AT ANY TIME. YOUR POSSESSION OF THIS DOCUMENT CONSTITUTES ACCEPTANCE OF THESE TERMS. © 2003 ECCO | | | | Electronically Controlled Use Latest Copy | SHEET 1 OF 1 | Project: CR# 602 | Date Created: 2000-11-21 |