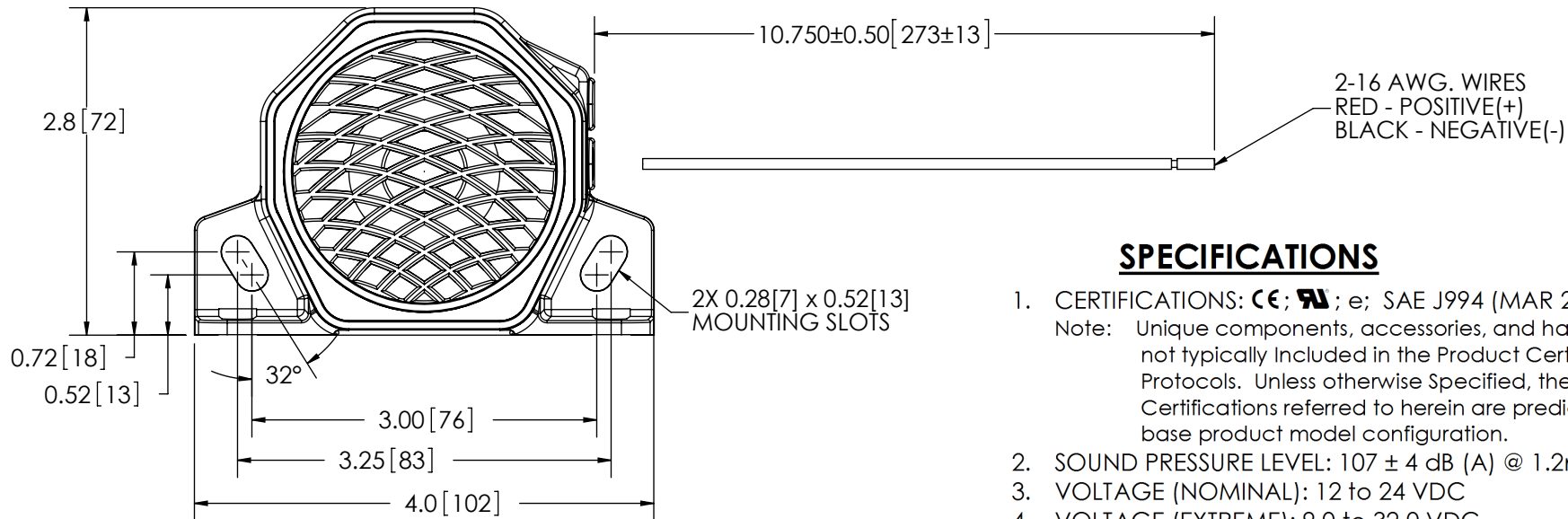
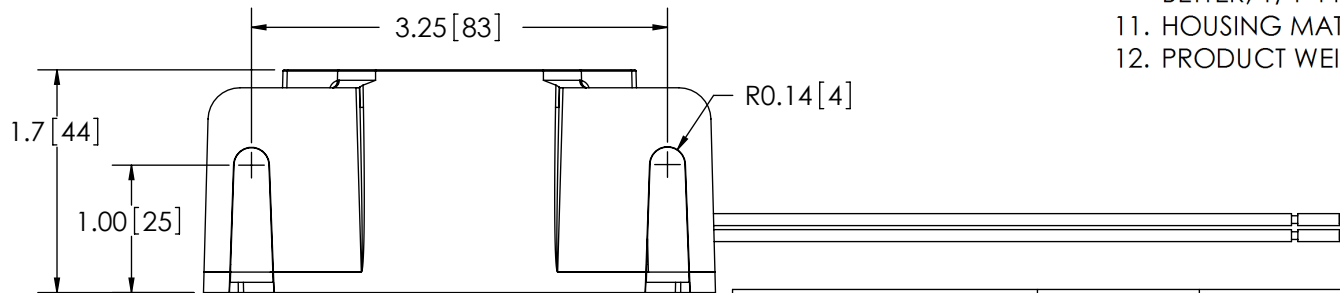


REVISION HISTORY		
REV.	DESCRIPTION	DATE
G	REVISE PER P11051	2013-09-13
H	REVISE PER P11051	2014-01-15
J	REVISE PER P11051	2014-04-09



SPECIFICATIONS

- CERTIFICATIONS: **CE**; **UL**; e; SAE J994 (MAR 2009), TYPE B;
Note: Unique components, accessories, and hardware kits are not typically included in the Product Certification Test Protocols. Unless otherwise Specified, the Product Certifications referred to herein are predicated upon the base product model configuration.
- SOUND PRESSURE LEVEL: 107 ± 4 dB (A) @ 1.2m (4ft)
- VOLTAGE (NOMINAL): 12 to 24 VDC
- VOLTAGE (EXTREME): 9.0 to 32.0 VDC
- CURRENT (PEAK): 1.56 A (@ 12 VDC NOMINAL)
- POWER (MAXIMUM): 10.1 W (@ 12 VDC NOMINAL)
- TEMPERATURE RANGE: -40°F (-40°C) TO 185°F (85°C)
- FREQUENCY: 960 to 1440 Hz
- CONNECTION: 2-16 AWG WIRES
- RECOMMENDED MOUNTING: 1/4 - 20 UNC, GRADE 5 OR BETTER, 1/4" TYPE A, SERIES N OR W WASHER
- HOUSING MATERIAL: GLASS FILLED NYLON
- PRODUCT WEIGHT: 0.8 LBS (0.36 Kg)



NOTES:
1. DIMENSIONS IN INCHES[MILLIMETERS (FOR REFERENCE)]

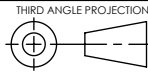
SCALE 1:1.5		APPROVALS	DATE
CAD GENERATED DRAWING DO NOT MANUALLY UPDATE. MODEL REFERENCED:E		DRAWN BY MDH	2014-04-07
TOLERANCES ARE IN INCHES, AND MILLIMETERS TOLERANCES ARE:		CHECKED BND	2014-04-08
MILLIMETERS DECIMALS XX. ± 1.0mm XX.X ± 0.5mm	INCHES DECIMALS X.X ± 0.1 X.XX ± 0.04 X.XXX ± 0.02	MECH. ENG. JLA	2014-04-07
	ANGLES ± 0.5° FRACTIONS ± 1/64	ELEC. ENG. JES	2014-04-07
		TEST ENG. JRT	2014-04-07
		SALES. DMV	2014-04-08



ALARM, BACK-UP, 107DBA, 12-24 VDC, LIGHT DUTY

CUSTOMER PART NO. 575	PRODUCT SERIES: 500
---------------------------------	-------------------------------

NON DISCLOSURE AGREEMENT
THIS DRAWING AND THE DESIGN IT DISCLOSES ARE THE PRIVATE PROPERTY OF ECCO AND IS ISSUED IN CONFIDENCE FOR ENGINEERING INFORMATION ONLY. THE DRAWING AND / OR DESIGN MAY NOT BE USED, COPIED, REPRODUCED, OR OTHERWISE DISCLOSED IN PART OR AS A WHOLE TO OUTSIDERS OR USED FOR ANY OTHER PURPOSE WITHOUT THE PRIOR WRITTEN CONSENT OF ECCO. THE DRAWING IS SUBJECT TO RECALL AT ANY TIME. YOUR POSSESSION OF THIS DOCUMENT CONSTITUTES ACCEPTANCE OF THESE TERMS. © 2002 ECCO



SIZE: A	DWG. NO. 575	REV. J
Electronically Controlled Use Latest Copy		
SHEET 1 OF 1	Project: 98007	Date Created: 1998-08-18