

LED MINIBARS

5597 SERIES SAE Class I 15" LED

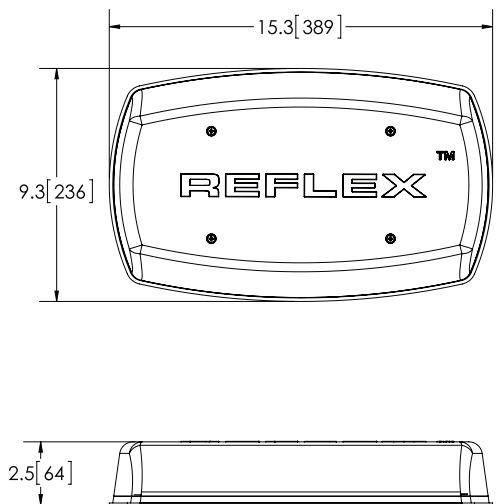
The 5597 Series LED minibar features an innovative design combining Reflective and TIR Optic LED modules to provide superior 360° warning. The TIR Optic modules produce a highly intense, focused and long distance beam to the front and rear of the vehicle while the Reflective modules ensure optimum 360° coverage by producing a dispersed, wide-angle beam to the sides and corners. The 5590 also offers 18 flash patterns and permanent mount models can be synchronized to operate multiple lights alternately or simultaneously.

Models

PART NO.	DOMES COLOR	ILLUMINATION	VOLTAGE	AMPS	MOUNT
5597A	Amber	Amber	12-24	6.0	Permanent
5597A-MG	Amber	Amber	12-24	6.0	Magnet
5597A-VM	Amber	Amber	12-24	6.0	Vacuum-Magnet
5597CA	Clear	Amber	12-24	6.0	Permanent
5597CA-MG	Clear	Amber	12-24	6.0	Magnet
5597CA-VM	Clear	Amber	12-24	6.0	Vacuum-Magnet
5597CAC	Clear	Amber	12-24	6.0	Permanent
5597CAC-MG	Clear	Amber	12-24	6.0	Magnet
5597CAC-VM	Clear	Amber	12-24	6.0	Vacuum-Magnet

Features and Benefits

- Combines Reflective and TIR Optic LED modules to optimize focused front/rear warning and wide-angle side warning
- Choice of 18 flash patterns
- Synchronization capable (permanent mount only)
- Cigarette plug with on/off and flash pattern selection switch (vacuum-magnet & magnet only)
- SAE J845 Class I, California Title 13, CE, R10, IP65 (permanent mount only)
- Temperature Range: -22°F to +122°F (-30°C to +50°C)
- Warranty: 3 years



Replacement Parts

- Domes: Amber - EZ5507LA
Clear - EZ5507LC